

232.5 90HY

Working Paper

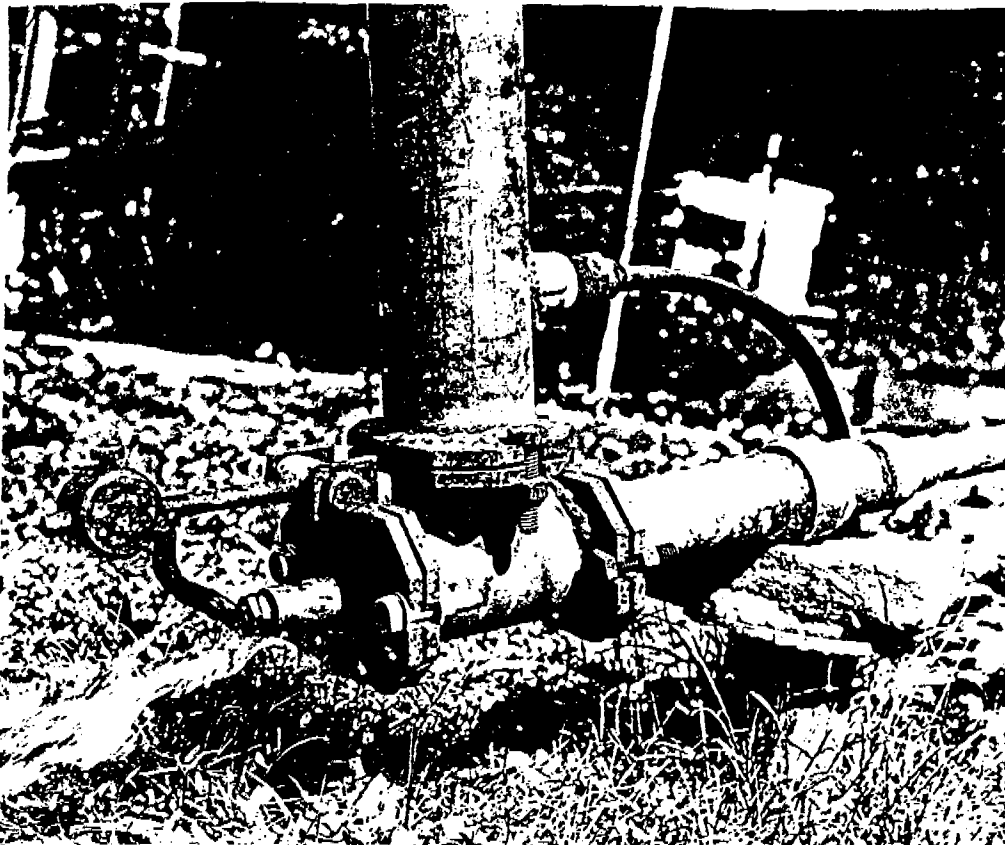
WP 01/90

Document du Travail

Documento de Trabajo

HYDRAM Information package

Ueli Meier



March 1990

SKAT

SKAT
Schweizerische Kontaktstelle für Angepasste Technik am ILE,
Institut für Lateinamerikaforschung und Entwicklungszusammenarbeit an der Hochschule St. Gallen

SKAT
Swiss Center for Appropriate Technology at ILE,
Institute for Latin-American Research and for Development
Co-operation, University of Saint-Gall

SKAT - BOOKSHOP
Tigerbergstr. 2
CH-9000 St.Gallen, Switzerland
Phone: +41 71 30 25 85 / Fax: +41 71 22 46 56

SKAT
Centre Suisse pour la Technologie Appropriée à l'ILE,
Institut de Recherche sur l'Amérique Latine et de
Coopération au Développement, Université de Saint-Gall

SKAT
Centro Suizo de Tecnología Apropiaada en el ILE,
Instituto de Investigación sobre América Latina y
de Cooperación al Desarrollo, Universidad de Saint-Gall

232.5-90HY-8425

Bibliography

INTERNATIONAL REFERENCE GROUP
FOR COMMUNITY WATER SUPPLY AND
SANITATION (IRCG)

BLAKE J. (ltd.)

WATER POWERED PUMPS: BLAKE HYDRAMS

John Blake limited, P.O. Box 43, Royal Works, Accrington, Lancashire BB5 5LP, U.K.

product brochure: 11pp, var. ill., english / german / french / spanish

Basic operation is described and performance tables are included. Surveying and water gauging procedures are also included. Describes in detail also surveying and flow measuring using simple methods (english only).

BYS

BYS HYDRAULIC-RAM PUMP

BALAJU YANTRA SHALA (P.) LTD., P.O. BOX 209, KATHMANDU / NEPAL

4pp, 3 ill., english

design of the BYS hydraulic-ram pump.

CIOC, La Paz

EL ARIETE HIDRAULICO CIOC: UNA BOMBA AUTOMATICA SIN MOTOR

Cooperativa Industrial de Obreros Calificados, Camina a Oruro 178, La Paz, Bolivia

13pp, var. ill. & diagrams, spanish

function and principle of a hydram are described and a calculating example is given. The surveying procedure and water gauging are shown.

DAVIS R.

BOMBA DE AGUA A GOLPE ARIETE

1987: Campo Nuevo, Proyecto de Tecnologia Adecuada, La Paz, Bolivia

2pp (A3), spanish

detailed workshop drawings of all parts required to build a hydram with a 3" drive pipe.

DIAN DESA (ED.)

TEKNOLOGI TEPAT: HYDRAULIC RAM

DIAN DESA, YOGJAKARTA / INDONESIA

16pp, var. ill., bhasa indonesia

detailed technical drawings for building a hydraulic ram. Dimensions are expressed in multiples of the drive pipe diameter. Therefore up- and down-scaling is possible.

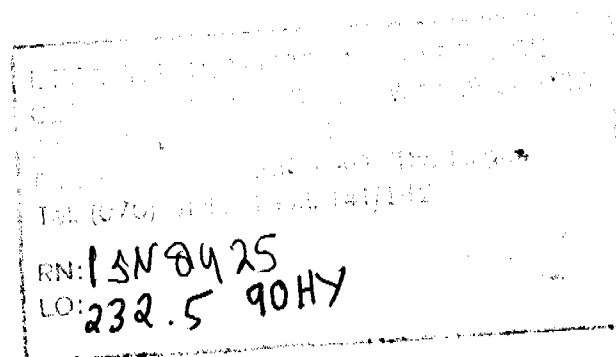
ERNST R.

OPTIMALE AUSLEGUNG UND VERWENDUNG VON HYDRAULISCHEN WIDDERN IN WASSERFOERDERUNGSSYSTEMEN

Technische Hochschule Darmstadt, Institut für Wasserbau

approx. 85pp, var. ill., var. refs., german

Studienarbeit: theoretical work on optimizing the hydraulic ram design. The potential for improving designs is outlined.



HYDRAM Information package

A selected and annotated bibliography on Hydraulic Ram Pumps, including a list of manufacturers, a data base printout on Hydrum Research and selected articles

Ueli Meier, SKAT

FRAENKEL P., ITDG

THE HYDRAULIC RAM PUMP: in Water-Pumping Devices, pages 135ff

1986: Intermediate Technology Publications, 9 King street, London WC2E 8HW, U.K.

ISBN 946688 85, approx. 7pp, var. ills., english

the article gives a brief introduction to the principles of a hydraulic ram, its installation and operation.

GATE

DRAWINGS OF HYDRAULIC RAM

1979: GATE, ESCHBORN / GERMANY

D 2/3, 7/79, 35pp, var.ills., 8 refs., german

manual / technical: detailed drawings of hydraulic ram made from pipe fittings.

GORDON, I. A., ANDERSON A.

BUILDING AND TUNING THE ITDG AUTOMATIC HYDRAULIC RAM: in waterlines
vol 5, No. 4, April 1987: ITDG, London, U.K., 4pp, var. ills., var. refs., english

ram performance and problems with the valves are described. An alternative impulse valve is proposed.

HERMAN A., ATOL

L'INSTALLATION D'UN BELIER HYDRAULIQUE A BUDI, REPUBLIQUE DU ZAIRE

1985: ATOL, Blijde Inkomststraat 9, 3000 Leuven, Belgique

24pp, var. ills., var. refs., french

the brochure describes the installation of a hydraulic ram in Zaire. Conditions for good functioning of a hydram are outlined.

IVERSEN H. W.

AN ANALYSIS OF THE HYDRAULIC RAM: in the Journal of Fluid Engineering

1975: Journal of Fluid Engineering, ASME, U.S.A, 6pp, var. ills. & diagrams, var. refs., english

a theoretical and comprehensive analysis of the principle used in hydraulic rams based on flow velocities and their changes. An approximate analysis is shown to give performance features of heads and flows, directly related to measured performance.

INVERSIN A R., VITA

HYDRAULIC RAM PUMP

1979: VITA, ARLINGTON / U.S.A., TECHNICAL BULL. 32, 36pp, var.ills., 1 ref., english

this step-by-step manual provides information on the construction of a hydraulic ram made from pipe fittings.

INVERSIN A R., SPATF

THE CONSTRUCTION OF A HYDRAULIC RAM PUMP

SPATF, SOUTH PACIFIC AT FOUNDATION, P.O.BOX 6937, BOROKO / PAPUA NEW GUINEA, 36pp, var.ills., english

an easy manual on step-by-step construction of a simple hydraulic ram pump from standard pipe fittings. Contains many good sketches and performance data.

KINDEL E. W., VITA
UN BELIER HYDRAULIQUE POUR USAGE RURAL
1977: VITA, ARLINGTON / U.S.A., 13pp, 5 ills., french
a detailed instruction on building a hydraulic ram from pipe fittings.

KINDEL E. W., VITA
A HYDRAULIC RAM FOR VILLAGE USE
1975: VITA, ARLINGTON / U.S.A., 11pp, 5 ills., english
a detailed instruction on building a hydraulic ram from pipe fittings.

KINDEL E. W., VITA
UN ARIETE HIDRAULICO PARA EL PUEBLO
VITA, ARLINGTON / U.S.A., 13pp, 5 ills., spanish
a detailed instruction on building a hydraulic ram from pipe fittings.

MOENNINGHOF H., ET AL
DER HYDRAULISCHE WIDDER. EINE SELBSTTAETIGE PUMPE OHNE MOTOR
1983: SANFTE ENERGIE GMBH, D-3257 SPRINGE-ELDAGSEN / GERMANY
ISBN 3-923403-07-0, 25pp, 13 ills., 7 refs., german
provides basic information on the hydraulic ram.

PETERMANN H., La Paz
BAUANLEITUNG FUER EINEN HYDRAULISCHEN WIDDER
1984: 9pp, var. ills., german
Beschreibung und Formeln für die Auslegung und Berechnung eines einfachen Widders welcher aus Standard-Rohrteilen gefertigt wird. Skizzen ebenfalls enthalten.

PROTZEN T. P., MBWETE T. S. A., IPI
HYDRAULIC RAMS AS POTENTIAL PUMPING UNITS FOR RURAL WATER
SUPPLY SCHEMES IN TANZANIA
1984: University of Dar Es Salaam, Tanzania, 18pp, var. ills. & diagrams, var. refs., english
a hydraulic ram is investigated based on a complex mathematical model. Many efficiency charts were developed, using different parameters.

SCHLUMPF HYDRAULISCHER WIDDER
Schlumpf AG, 6312 Steinhausen, Switzerland
20pp, var. ills. & diagrams, german
product brochure: the Schlumpf rams are described in details. Performance charts for different types are shown. Also contains installation instructions especially for the drive pipe.

SCHILLER E. J. (Ed.)
Proceedings of a Workshop on HYDRAULIC RAM PUMP TECHNOLOGY
1986: Manuscript report, IDRC-MR102eR, Arusha, Tanzania, june 1984
121pp, var. ills. & diagrams, var. refs., english
proceedings: contains many articles on different aspects of hydraulic rams. Conclusions drawn are: potential users are not aware of the possibility of using hydrams and therefore training should be stressed. Hydram prices are another constraint and therefore local manufacture should be promoted.

SWIFT D. G.

DESIGNING A HYDRAULIC RAM INSTALLATION; in Physics for rural development. 1983: John Wiley & sons, Chichester, U.K.

ISBN 0 471 10364 0, chapter 6, 25pp, var. ills., english

the chapter is an exercise in designing a hydraulic ram. Selection of hydram, drive pipe and delivery pipe as well as the required storage tank is done. the final design is a battery of 4 hydrams each with a 125 mm dia. drive pipe and a common 75 mm delivery pipe.

TACKE J. H. P. M.

HYDRAULIC RAMS - A COMPARATIVE INVESTIGATION; in Communications on hydraulic and geotechnical engineering

1988: Delft University of Technology, Faculty of Civil Engineering

ISSN 0 169-6548, Report No 88 - 1, 253pp, var. ills., var. refs., english

a mathematical model describing the features of hydraulic ram operation is developed and three different periods in the pumping cycle are distinguished. Sufficiently accurate results are achieved to explain the influence of various parameters. Laboratory tests were taken on twelve commercially available hydraulic rams, and results are presented in dimensionless diagrams and some comments are given.

WATT S. B., ITDG

A MANUAL ON THE HYDRAULIC RAM FOR PUMPING WATER

1978: IT-PUBLICATIONS LTD., LONDON / U.K.

ISBN 0-903031-15-9, 39pp, var.ills., english

contains details of how to make and maintain a small hydraulic ram on a suitable site. The 2. part takes a more technical look at ram performances and design considerations.

WEHRLE K., SKAT

INTRODUCTION TO HYDRAULIC RAMS IN HAITI: Preliminary study of the pilot project Terre Rouge - Trianon

1986: SKAT, St. Gallen, Switzerland, F745, 8pp, var, ills. & diagrams, english

quantity of water that can be pumped is calculated and the proposed hydraulic profile is checked. A comparison is made on five different makes of hydrams. Handwritten manuscript.

ZIMMERMANN T., WEHRLE K.

ETUDE SUR LA FACTIBILITE DES BELIER HYDRAULIQUES EN HAITI

1986: SKAT, St. Gallen, Switzerland

R 11/86, 43pp, var. ills. & diagrams, french

final study of a hydram installation project containing the detail design of the entire installation, an impact study and recommendations. Ecological, institutional and financial aspects are also covered.

List of manufacturers

AKTIEBOLAGET, Bruzaholms Bruk, 570 34 Bruzaholm, Sweden

BRIAU S. A., B.P. 0903, 37009 Tours Cedex, France

CECOCO CHUO BOEKI GISHI KAISHA, P.O. Box 8, Ibaraki City, Osaka 567, Japan

CYPHELLY & CIE, Techniques Hydro-mechaniques, 1588 Cudrefin, Switzerland

DESCLAUD J. M., 57 Rue Bertrand-de-Goth, 33800 Bordeaux, France

GREEN & CARTER LTD, Ashbrittle - nr Wellington, Somerset TA21 0LQ, U.K.

INDUSTRIAS MECANICAS ROCHFELTDA, Avenida Jose de Silva 3765, Jardin Moria Rosa, Caixa Postal 194, Sao Paulo, CEP 14400, Brazil

INTECO, 68 Rajendra Market, Tiz Nahir, Dehli 54, India

JOHN BLAKE Limited, P.O. Box 43, Royal Works, Accrington, Lancashire BB5 5LP, U.K.

JANDU PLUMBERS LTD, P.O. Box 409, Uhuru road, Arusha, Tansania

LAS GAVIOTAS, calle 18A, No. 1E, Apdo. 4976, Ap. Aereo 18261, Bogotà, Colombia

SANO, Pfister & Langhaas, Apparatebau, Sandstr. 2 - 8, 8500 Nürnberg, Federal Republic of Germany

SCHLUMPF AG, Hydraulische Widder, Bahnhofstr. 15, 6312 Steinhausen/Zug, Switzerland

WAMA, Maschinenbau Max Wagner, Bergstr. 8, 8018 Grafing, Federal Republic of Germany

Database printout on Hydraulic Ram Research

T11/5/3-4;T11/5/8;T11/5/11;T11/5/12
11/5/3

067426 FP

On the hydraulic ram.

Guetlinder, H. ; Staehlin, W.v.

Munich T U

Bautechnik, vol.54, no.5, May 1977, pp.163-166. ,

Languages: English

The principles of operation of the hydraulic ram are considered; the sequence of operations is described and a mathematical model of its performance is derived. Despite the fact that no external energy source is required, the system can fulfil some of the properties of a pump in raising water from a tank at low level to a source of supply at a higher level. However, only a small proportion of the water is actually raised, the remainder flowing to waste. This fact accounts for the relatively limited application. However it may usefully be employed in raising water to a chalet or mountain lookout post from a stream at a lower level. Another disadvantage is the amount of noise generated by the operation of the surge valve. Graphs are presented in which the efficiency and flow rate are plotted as a function of relative weights. (B.D.H.)

Section Heading Codes: E30; E29

11/5/4

062451 PA

An innovation in water ram pumps for domestic and irrigation use.

Stevens-Guiller, P.D.

Cape Town Univ.

Appropriate Technol., vol.5, no.1, May 1978, pp.27-29. ,

Languages: English

This article tells you how to assemble a water ram pump which pumps water with absolutely no operating cost, from readily available parts. (A)

Descriptors: hydraulic ram

11/5/8

037508 PA (Pumps And Other Fluids Machinery Abstracts)

A MANUAL ON THE HYDRAULIC RAM FOR PUMPING WATER.

WATT, S.B.

BOOKLET : PUBL. BY INTERMEDIATE TECHNOLOGY PUBLICATIONS LTD., U.K. 43PP.
Z1975<.,

Languages: English

THIS MANUAL WAS WRITTEN PRIMARILY TO SHOW FIELD WORKERS HOW THEY CAN DESIGN AND CONSTRUCT A SIMPLE RAM PUMP FROM COMMERCIAL PIPE FITTINGS, HOW TO CHOOSE A SUITABLE SITE FOR THE RAM, HOW TO INSTALL AND ADJUST THE RAM, AND THE SORT OF MAINTENANCE THE PUMP NEEDS DURING ITS WORKING LIFE. THE AUTHOR HAS ATTEMPTED TO WRITE THE MANUAL IN NON-TECHNICAL LANGUAGE SO THAT IT CAN BE USED BY PEOPLE WITH LITTLE OR NO TECHNICAL TRAINING - THIS INFORMATION MAKES UP PART 1. A LABORATORY TEST ON THIS PUMP IS DESCRIBED IN PART 2. IN PART 2, THE RANGE OF OPERATION OF RAM PUMPS AND THE DIFFERENT MATERIALS THAT HAVE BEEN USED TO MAKE THEM ARE DESCRIBED IN GREATER DETAIL. INFORMATION GIVEN IN THE TRADE LITERATURE OF A COMMERCIAL RAM MANUFACTURER, BLAKES HYDRAMS LTD., IS USED TO DEMONSTRATE THE SIMPLE CALCULATIONS NEEDED TO DESIGN A RAM PUMP TO SUIT SPECIFIC SITE CONDITIONS. THIS INFORMATION IS OF USE MAINLY TO THOSE WITH SOME TECHNICAL AND WORKSHOP EXPERIENCE WHO WISH TO MAKE LARGE RAMS. AN ANNOTATED BIBLIOGRAPHY LISTING THE MAIN SOURCES OF INFORMATION USED TO WRITE THIS MANUAL IS INCLUDED IN THE LAST SECTION OF PART 2. P577V)

Descriptors: PUMPS-HYDRAULIC RAM; MANUFACTURE; TESTING; MATERIALS; WATER SUPPLY; BOOKS; BLAKES HYDRAMS LTD; LABORATORY TESTS; BIBLIOGRAPHIES

Section Heading Codes: P19

11/5/11

034220 FP (Fluid Power Abstracts)
UNUSUAL SEAL FAILURES IN HYDRAULIC RAMS

FIELD, G.J.

BHRA FLUID ENGG.

PROC. 4TH INT. FLUID POWER SYMP. ZBHRA FLUID ENGG.<, ZSHEFFIELD, U.K.<.
ZED:STEPHENS, H.S., COLES, N.G. AND STAFLETON, C.A.<, PAPER H3, FP, H3-31
TO H3-40, ZAPRIL 16-18, 1975<.

Languages: English

BHRA HAS CONSIDERABLE EXPERIENCE IN THE FIELD OF SEALS OF ALL TYPES, AND
OVER A PERIOD OF TIME MANY SEAL FAILURE MODES HAVE COME TO LIGHT. PRESENTED
HERE ARE JUST THREE UNUSUAL WAYS A HYDRAULIC RAM SEAL CAN FAIL. ZA<. ZFOR
AVAILABILITY SEE ENTRY 4.336FP12<, E364K)

Descriptors: SEALS-RECIPROCATING; FAILURE ANALYSIS; ACTUATORS-HYDRAULIC;
LEAKAGE; PRESSURE EFFECTS; OILHYDRAULIC; DIESELING; COMBUSTIBLE FLUIDS;
SELF-IGNITION

Section Heading Codes: E23

11/5/12

025490 PA (Pumps And Other Fluids Machinery Abstracts)
IN THE OPTIMISATION OF THE HYDRAULIC RAM.

EHRHARDT, G.

ABHANDLUNGEN AERODYNAMISCHEN INST. RHEIN. - WESTF. T.H. AACHEN, NO. 21,
PP.36-41. (DECEMBER, 1974),

Languages: GERMAN

THE OPTIMISATION TECHNIQUE IS REPORTED WHICH IS BASED ON THE HYDRAULIC
AM THEORY OF LORENZ, WHO FOUND THAT RAM EFFICIENCY IS HIGHER THE SHORTER
THE PULSE VALVE BRANCH AND THE LENGTH OF THE DELIVERY PIPE. THIS FIRST
CONDITION IS A PRE-REQUISITE FOR THE CURRENT INVESTIGATIONS IN WHICH SECOND
AND THIRD CONDITIONS ARE DEFINED AND DISCUSSED. THE SECOND CONDITION
REQUIRES MINIMUM PULSATION FOR OPTIMUM WORKING, I.E. A MODE OF OPERATION
SIMILAR TO THAT OF THE ABRAHAM HYDROPULSATOR. THE THIRD CONDITION IS THAT
BETWEEN THE ACCELERATION AND DECELERATION PHASES THE VOLUME FLOWS THROUGH
THE PULSE AND DELIVERY VALVES MUST HAVE A RATIO OF 1:2, WHICH LEADS TO A
HIGH DELIVERY RATE FOR A GIVEN EFFICIENCY. DELIVERY COEFFICIENT
(STANDARDISED MEAN SECONDARY DELIVERY VOLUME) AND EFFICIENCY ARE DISCUSSED
AS A FUNCTION OF MAXIMUM AND MINIMUM FLOW VELOCITIES. (P.A.) P577V)

Descriptors: PUMPS-HYDRAULIC RAM; OPTIMISATION TECHNIQUE; LORENZ THEORY;
PULSATING FLOW; ANALYSIS-MATHEMATICAL

Section Heading Codes: P19

T1/6/1-4;T

? T1/5/1-4;T1/5/7;T1/5/11-12T1/5/15

1/5/1

1062568 ID NO.- EI800862568

DER HYDRAULISCHE WIDDER. EINE SELBSTTAETIGE PUMPE OHNE MOTOR. \$left
bracket\$ Hydraulic Ram. An Automatic Engineless Pump \$right bracket\$.
Hoenninshoff, Hans

Gas Wasserfach Wasser Abwasser v 121 n 1 Jan 1980 p 32-34 CODEN:
GWWAAQ

ISSN 0016-3651

The hydraulic ram is a simple structure with the aid of which a portion
of an impounded water volume can be pumped to high levels without
additional energy input. Possibilities of practical application of this
device are discussed, as well as its mode of operation, costs, and
structural details. 7 refs. In German.

DESCRIPTORS: *PUMPS, WATER HAMMER,

CARD ALERT: 618, 631

1/5/2

819145 ID NO.- EI780319145

HYDRAULIC RAM PRESSURE PREDICTION AND STRUCTURAL RESPONSE.

Aron

AGARD Advis Rep n 106: Phys Vulnerability of Aircr Due to Fluid Dyn Eff. publ by AGARD, Nueilly sur Seine, Fr, Jul 1977 p 45-76 CODEN: AAARBK

During penetration of an aircraft fuel cell, bullets and other high-speed projectiles generate intense pressure of waves in the fuel. Response of the fuel cell walls to these pressure waves can be catastrophic failure due to severe fracturing of entrance and exit fuel cell walls. This failure is often accentuated, in brittle aluminum cell walls, by the bullet or high-speed projectile wound in the fuel cell wall, and a catastrophic brittle fracture failure at low stress levels can occur. This phenomenon termed "hydraulic ram", is of particular importance to the survivability of military aircraft. A computer program was developed by the Naval Weapons Center which calculates the pressure waves generated by decelerating, tumbling projectiles in a fluid. 1 ref.

DESCRIPTORS: (*LIQUIDS, *Waves), AIRCRAFT, MILITARY, (STRUCTURAL DESIGN, Blast Resistance),

CARD ALERT: 931, 404, 652, 408

1/5/3

782349 ID NO.- EI771182349

EXCLUSION DEVICES FOR HYDRAULIC RAMS.

Weeks, R. H.

James Walker & Co

Hydraul Pneu Mech Power v 23 n 265 Jan 1977 p 12-15 CODEN: HPMPDK

The article summarizes the types of flexible bellows and rod wipers or scrapers available and indicates their main areas of usage. Exclusion devices form an important supplement to any major seal supplier's range and technical assistance in the correct selection is discussed.

DESCRIPTORS: *HYDRAULIC RAMS,

CARD ALERT: 632

1/5/4

638729 ID NO.- EI760638729

AUTOMATIC HYDRAULIC RAM: ITS THEORY AND DESIGN.

Krol, J.

Ga Inst of Technol, Atlanta, Ga

ASME Pap n 76-DE-17 for Meet Apr 5-8 1976, 12 p CODEN: ASMSA4

This paper is intended to draw attention to the energy-saving potential of the automatic hydraulic ram. Although invented about 180 years ago, this self-powered pumping machine remains virtually unknown in many countries of the world. A broad overview of significant facts and problems pertaining to the automatic hydraulic ram technology is presented. The following topics are discussed: (a) typical installation and operation, (b) review of the state of the art, (c) theoretical considerations, and (d) feasibility study. 25 refs.

DESCRIPTORS: *HYDRAULIC RAMS,

CARD ALERT: 632

1/5/7

559493 ID NO.- EI750959493

ANALYSIS OF THE HYDRAULIC RAM.

Iversen, H. W.

Univ of Calif, Berkeley

J Fluid Eng Trans ASME v 97 Ser 1 n 2 Jun 1975 p 191-196 CODEN: JFEGAA

Paper No. 75-FE-F.

DESCRIPTORS: (*HYDRAULIC RAMS, *Mathematical Models),

CARD ALERT: 632

? T1/5/11-12;T1/5/15

1/5/11

460872 ID NO.- EI741060872

ENTWICKELN EINER NEUEN KOLBENDICHTUNG FUER HYDRAULISCHE GRUBENSTEMPEL UND TIEFBAUPRESSEN. \$left bracket\$ Development of a Novel Piston Seal for Hydraulic Mine Chocks and Hydraulic Rams \$right bracket\$,

Plester, Karl Heinz

Glueckauf-Forschungsh v 35 n 4 Aug 1974 p 150-153 CODEN: GKFRRA

Hydraulic chocks and rams are operating at pressures of up to 500 bar (about 7,300 psi). Those conditions require use of seals that can withstand the high pressures and also have an economically interesting long life. Paper describes a two-part, rubber-fabric seal that has been developed in West Germany and successfully tested.

DESCRIPTORS: (*COAL MINES AND MINING, *Roof Supports), HYDRAULIC RAMS, (SEALS, Testins),

CARD ALERT: 423, 503, 619, 632

1/5/12

452992 ID NO.- EI740952992

DESIGN OF HYDRAULIC RAM RESISTANT STRUCTURE.

Bristow, Robert J.

Boeing Co, Seattle, Wash

Army Symp on Solid Mech, 3rd Bienn Meet, Proc, Ocean City, Md, Oct 3-5 1972 p 129-135. Publ by Army Mater and Mech Res Cent, Watertown, Mass (Monogr Ser AMMRC MS73-2), Distrib by NTIS, Springfield, Va, 197

Bullets and warhead fragments impacting aircraft fuel cells produce a severe pressure pulse and fuel turbulence. This phenomenon, called hydraulic ram, can produce severe structural damage and fuel leakage. Results show that the major structural loads are due to (1) a pressure pulse in the fuel caused by projectile drag and (2) restraint of the violent fuel motion also produced by the traverse of the projectile through the fuel. All sides of the tank are vulnerable to hydraulic ram with various walls becoming most critical with changes in tank geometry and projectile size, velocity and trajectory.

DESCRIPTORS: (*AIRCRAFT, *Fuel Tanks), BALLISTICS,

CARD ALERT: 652, 404

1/5/15

340075 ID NO.- EI730840075

HYDRAULIC RAM FAILURE \$EM DASH\$ A CASE HISTORY.

Swales, P. D.; Braiden, P. M.

Univ of Leeds, Ensl

Eng Mater Des v 17 n 7 Jul 1973 p 30-31

Account was taken in the calculation of direct compressive stresses and the hoop stresses introduced by the oil. These stresses were found to be small compared to the bending stresses. The calculations showed that failure of the rams would occur by buckling at a load of about 50 tons if the rams were prevented from telescoping.

DESCRIPTORS: *HYDRAULIC RAMS, STRESSES,

IDENTIFIERS: BENDING STRESSES

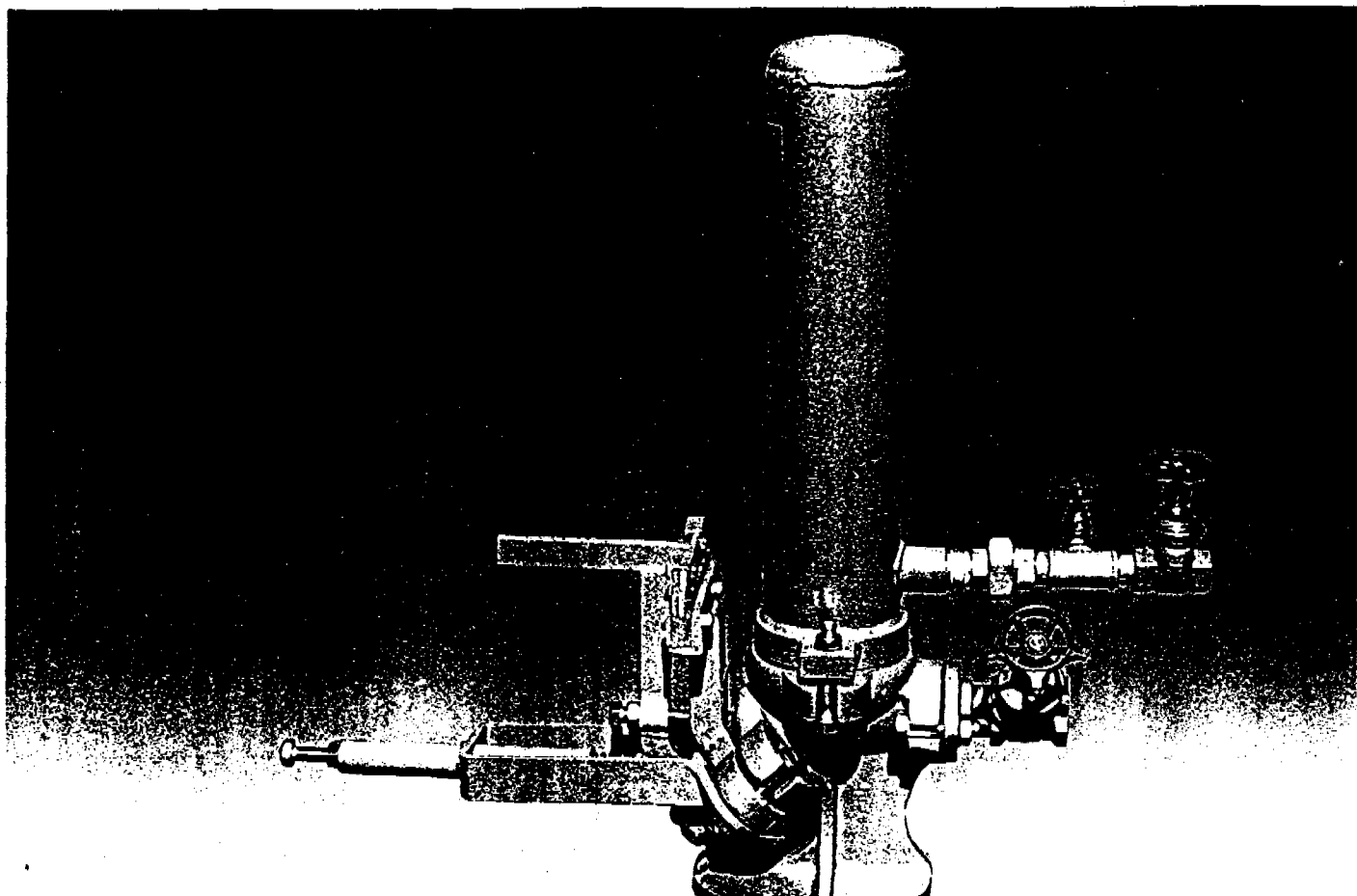
CARD ALERT: 632

?

Annexe: Selected articles and product brochures

Die selbsttätige Wasserpumpe als Alternative für die Zukunft

Schlumpf Hydraulischer Widder



Der Schlumpf Hydraulische Widder – seit über hundert Jahren ein Begriff für Leistungsfähigkeit, Einfachheit und Zuverlässigkeit.

Er pumpt Wasser von einer Quelle ohne Fremdenergie an einen viel höher gelegenen Bedarfsort.

Seine herausragenden Merkmale:

- Unerreichte Einfachheit
- Grosse Leistungsfähigkeit
- Kein Fremdenergiebedarf
- Ruhiger Gang
- Wartungsfrei
- Minimale Unterhalts- und Betriebskosten
- Automatische Belüftung
- Unübertroffenes Preis/Nutzen-Verhältnis

Qualität, die Ihnen nützt

Schlumpf AG

CH-6312 Steinhausen/Zug Schweiz

Telefon 042 414343

Telex 868 968

Telefax 042 411866

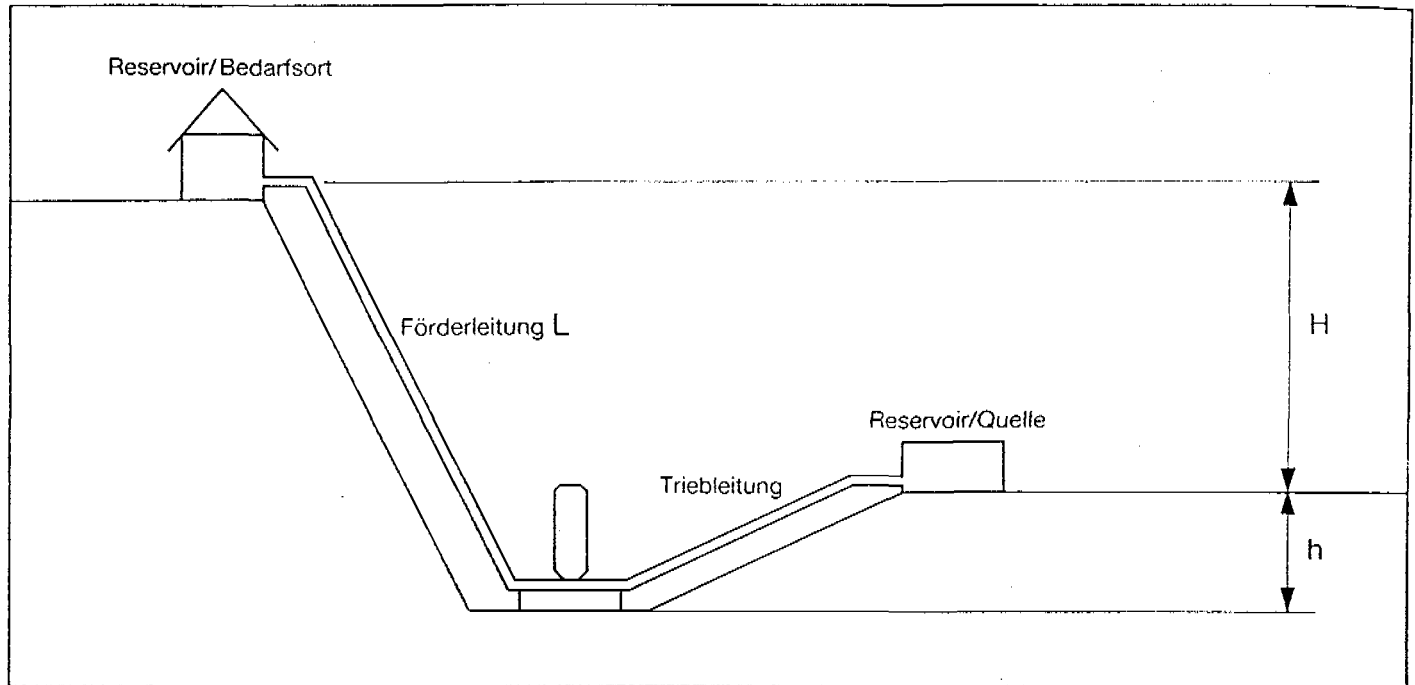
Der Schlumpf Hydraulische Widder wird auf der ganzen Welt für schwierige Wasserversorgungsprojekte eingesetzt. Wo kein öffentliches Wasserversorgungsnetz besteht, in Bergregionen, abgelegenen Siedlungen oder Entwicklungsländern und wo keine Fremdenergie (elektrischer Strom, Benzinmotor etc.) eingesetzt werden soll oder kann, ist er die überlegene Alternative.

Er ermöglicht, Wasser von einer Quelle, die nicht mit natürlichem Gefälle dem Bedarfsort zugeführt werden kann, 100 und mehr Meter höher und in beliebige Entfernung zu pumpen; und dies mit minimalstem Aufwand für Unterhalt und Betrieb.

Die verfügbare Typenreihe deckt praktisch jeden Bedarf ab.

Bei Anfragen oder Bestellungen geben Sie uns an:

1. Wie viele Liter Wasser liefern Quelle oder Bach in einer Minute? (Wenn möglich den kleinsten und mittleren Zufluss angeben)
2. Wie viele Meter Gefälle sind verfügbar von der Quelle abwärts, ohne den Fortlauf des Abgangswassers zu hindern? (h)
3. Wie viele Meter hoch soll das Wasser von der Quelle angehoben werden? (Senkrechte Höhe H)
4. Wie lange wird die Förderleitung ungefähr? (L)
5. Wird die Förderleitung regelmässig ansteigend, wellenförmig oder mit Gegengefälle?
6. Wie gross ist der tägliche Wasserbedarf ungefähr?



Typ	A 5	A 23	A 5	A 23	A 5	A 23	A 5	A 23	A 5	A 23	A 5	A 23	A 23	A 23
Grösse	1		2		3		4		5		6		7	8
Triebleitung	¾"		1"		1¼"		1½"		2"		2½"		3"	4"
Förderleitung	½"		½"		¾"		1"		1"		1¼"		1½"	2"
Zufluss auf den Widder lit./min	3-10		6-20		15-35		30-60		50-100		80-150		100-200	150-400
Länge des Widders cm	38	55	40	55	50	80	50	80	70	102	72	102	127	127
Breite des Widders cm	21		21		25		25		32		32		50	
Höhe des Widders cm	59	66	59	66	64	72	64	72	90	108	90	108	125	
Gewicht netto kg	14	18	14	18	30	36	31	37	67	110	95	112	275	
Gewicht brutto kg	18	22	18	22	47	53	47	54	83	143	120	145	360	

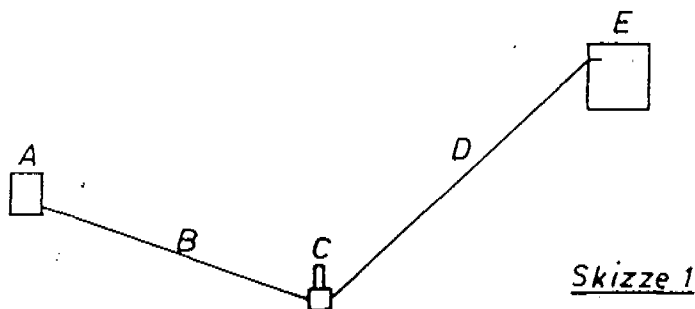
Erstellung einer hydr. Widderanlage

Der hydraulische Widder ist eine selbsttätige Wasserpumpe, die mit einem relativ kleinen Gefälle einen Teil des zur Verfügung stehenden Quell- oder Bachwassers, ohne fremde Energie, auf einen bedeutend höhern Punkt fördern kann.

Beispiel:

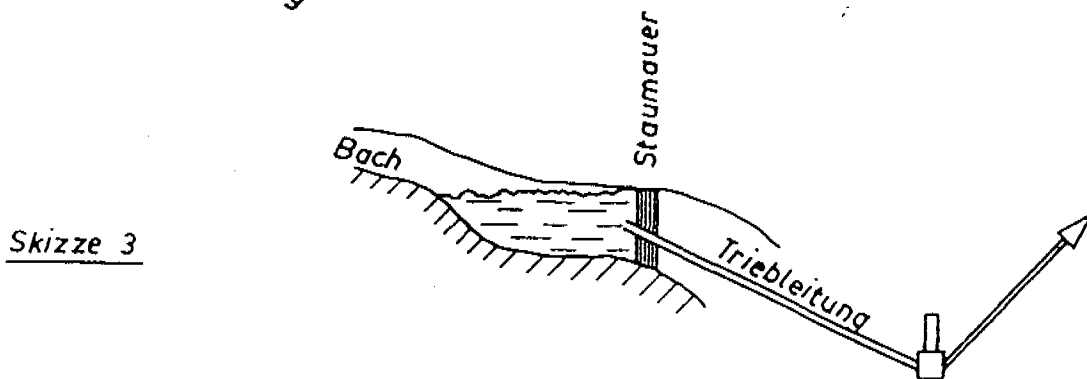
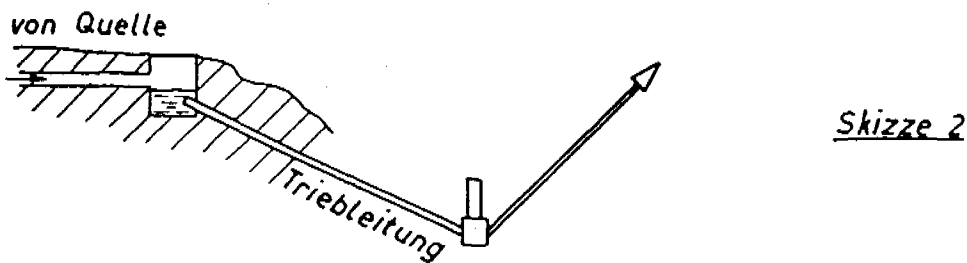
Das Quell- oder Bachwasser wird in einen Sammelschacht A geleitet. Ein Teil dieses Wassers soll auf den Punkt E gefördert werden.

Von Punkt A wird das Wasser durch eine Tribleitung B auf den Widder C geleitet. Ein Teil des Wassers wird durch die Förderleitung D zum Punkt E gefördert. (Skizze 1)

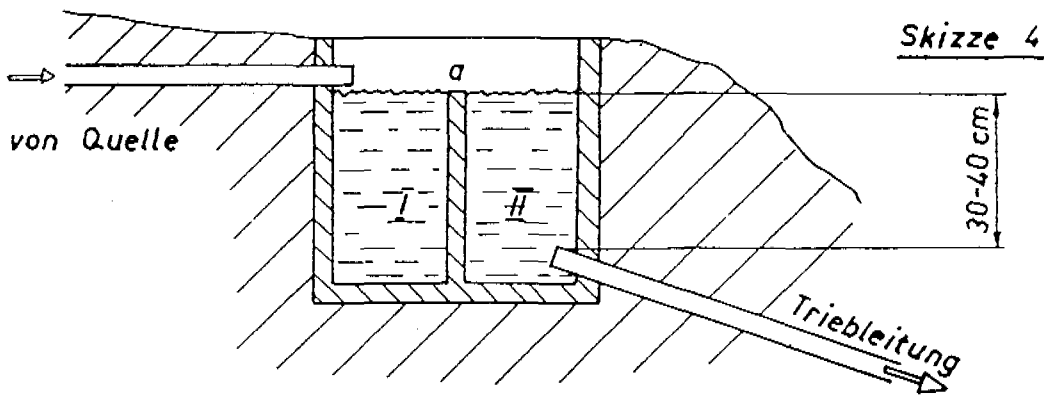


Sammelschacht:

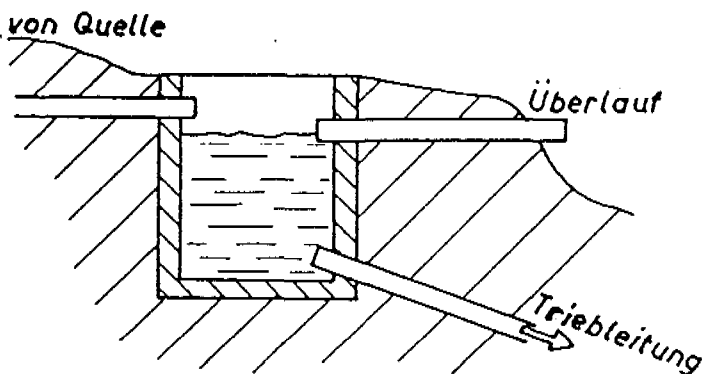
Das verfügbare Wasser wird in einen Sammelschacht oder Bassin geleitet. Sofern das Wasser einem Bache entnommen wird, kann der Bach entsprechend gestaut werden. (Skizze 2 und 3)



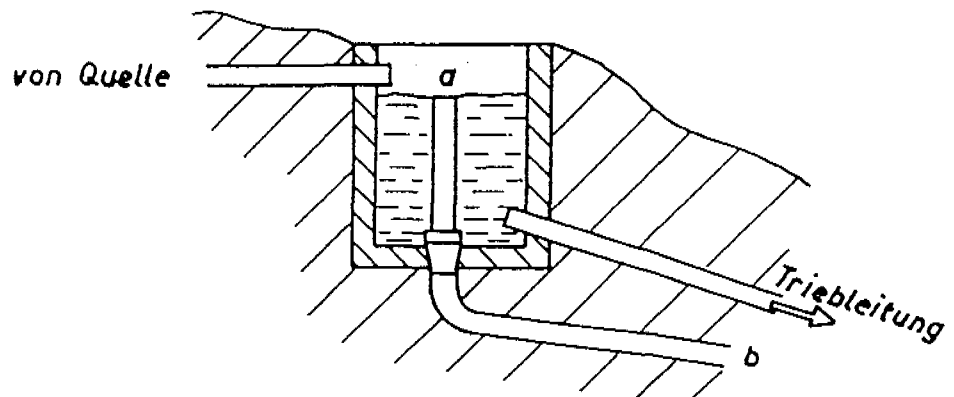
Der Sammelschacht kann beliebig gross gebaut werden. Es ist jedoch darauf zu achten, dass die Triebleitung immer genügend mit Wasser überdeckt ist, minimal ca. 30 - 40 cm. (Skizze 4). Der Sammelschacht soll ferner so gebaut sein, dass Luftblasen, die durch das zufließende Wasser entstehen, auf keinen Fall auf die Triebleitung kommen können. Lufteintritt in die Triebleitung kann den Widder stören. Zum Schutze gegen Luftblasen kann im Sammelschacht eine Zwischenwand a (Skizze 4) erstellt werden. Diese darf aber nur so hoch sein, dass das Wasser von Kammer I in Kammer II fließen kann, ohne dass eine Rückstauwirkung auf die Quelle entsteht. Auf diesen Umstand ist auch bei der Anordnung des Ueberlaufes zu achten. (Skizze 5 und 6) Bei Erstellung des Sammelschachtes ist darauf zu achten, dass keine groben Unreinigkeiten in die Triebleitung gelangen können.



Im Sammelschacht soll eine Ueberlaufmöglichkeit vorgesehen werden, um ein Ueberlaufen des Schachtes zu verhindern, (Skizze 5 und 6). Bei Ausführung nach Skizze 6 kann das vom Widder nicht benötigte Wasser durch den Leerlaufstöpsel a und durch die Leerlaufleitung b fortgeleitet werden. Diese Ausführung hat ferner den Vorteil, dass der Sammelschacht entleert und gut gereinigt werden kann.



Skizze 6



Triebleitung:

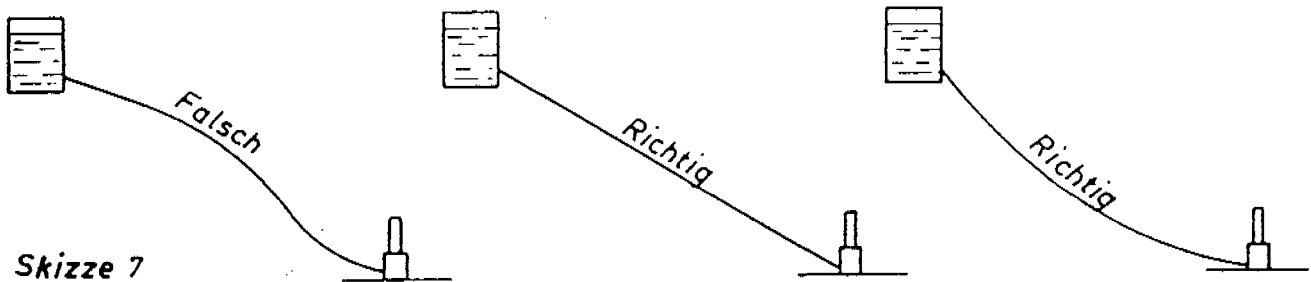
Die Triebleitung wird vom Sammelschacht zum hydr. Widder geführt. Die Grösse dieser Leitung richtet sich nach der Grösse des hydr. Widders und kann dem Prospekt entnommen werden.

Für die Triebleitung dürfen nur Eisen-, Stahl- oder Gussrohre verwendet werden. Kunststoffrohre sind wegen ihrer Elastizität nicht geeignet.

Die Triebleitung muss mit aller Sorgfalt erstellt werden und muss einwandfrei dicht sein. Die geringste Undichtigkeit kann den hydr. Widder stören.

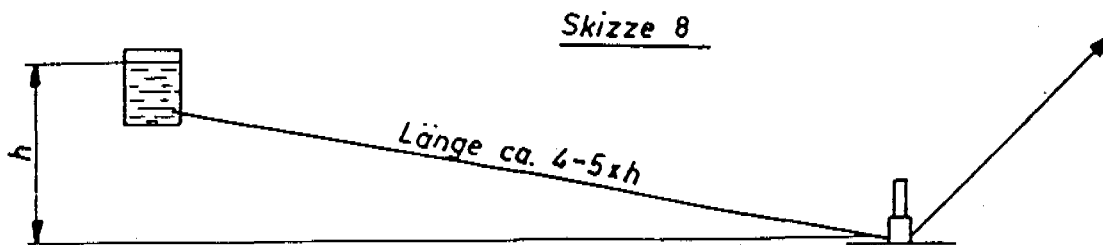
Für die Rohrverbindungen sollen nur Muffen mit verstärktem Rand verwendet werden (z.B. GF 270). Holländerverschraubungen sind ungeeignet und sind zu vermeiden.

Das Gefälle auf den hydr. Widder soll regelmässig, oder vorteilhaft im oberen Teil stärker sein (siehe Skizze 7).



Winkel und Bögen dürfen in der Triebleitung nicht verwendet werden. Ist ein seitlicher Bogen in der Triebleitung notwendig, so ist derselbe möglichst lang gezogen auszuführen. Im Zweifelsfall erbitten wir Ihre Anfrage. Die Leitungsgräben sollen erst eingedeckt werden, wenn die Anlage einwandfrei läuft.

Die richtige Länge der Triebleitung ist wichtig für einwandfreie Funktion der Anlage. Diese soll 4 - 5 mal die senkrechte Gefällshöhe betragen (Skizze 8).



Hydraulische Widder:

Der hydr. Widder wird mittels mitgelieferten Flanschen an den Leitungen angeschlossen. Eine weitere Befestigung des Widders am Boden ist nicht notwendig.

Die Grösse des Widders richtet sich nach der zur Verfügung stehenden Quell- oder Bachwassermenge, bzw. nach der zu fördernden Wassermenge, wir verweisen auf beiliegende Tabellen. Die Belüftung unserer hydr. Widder erfolgt automatisch, ohne irgendetwas Luftventile.

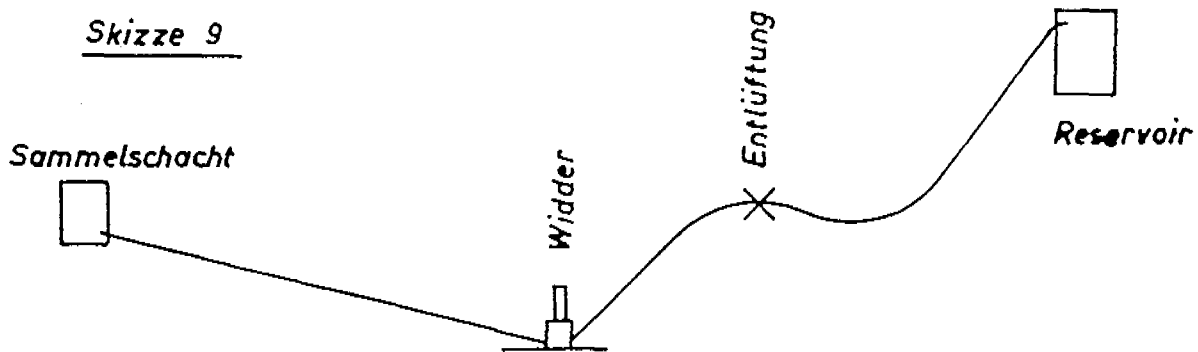
Der Widder kann, wenn die Verhältnisse es nicht anders erlauben, im Freien montiert werden. Wir empfehlen jedoch, den Widder in einem verschliessbaren Schacht zu montieren, um Manipulationen durch Unbefugte zu verhindern.

Die Masse des Widders zur Bestimmung der Grösse der Widderkammer können dem Prospekt entnommen werden.

Bei der Widderkammer muss beachtet werden, dass das Triebwasser ungehindert abfliessen kann.

Förderleitung:

Die Grösse der Förderleitung kann dem Prospekt entnommen werden. Die Förderleitung soll ohne Gegengefälle erstellt werden. Sofern dies nicht möglich ist, müssen Entlüftungsmöglichkeiten vorgesehen werden. (Skizze 9). Für die Förderleitung sind Kunststoffrohre unter Berücksichtigung der Druckbeständigkeit zulässig. Deren Elastizität wirkt sich hier positiv aus, da die Stösse absorbiert werden. Die Förderleitung muss einen offenen Auslauf haben, d.h. das Förderwasser muss frei auslaufen können.



Reservoir:

Der Auslauf der Förderleitung kann am Bedarfsort z.B. in einen Brunnen erfolgen. Wir empfehlen die Erstellung eines Reservoirs über dem Bedarfsort. Dadurch ist es möglich, am Verbrauchsort einen bestimmten Druck zu erhalten. Zudem kann damit das geförderte Wasser gespeichert werden und man hat in Zeiten erhöhten Wasserbedarfes eine Reserve zu Verfügung.

Der Eintritt der Förderleitung in das Reservoir soll über dem Wasserspiegel erfolgen, damit die Fördermenge jederzeit kontrolliert werden kann.

Zu einer möglichst grossen Zirkulation und Frischhaltung des Wassers im Reservoir ist zu beachten, dass der Austritt der Verbrauchsleitung gegenüber dem Eintritt der Förderleitung erfolgen soll.

Grösse des hydr. Widders:

Die Grösse des Widders richtet sich nach der vorhandenen Quell- oder Bachwassermenge, oder aber auch nach der gewünschten Fördermenge:

Beispiel:

Eine Quelle liefert 30 lit/min. Davon soll ein möglichst grosser Teil 20 m höher gepumpt werden. Für eine Wassermenge von 30 lit/min (Zufluss) eignet sich ein hydr. Widder No. 3, regulierbar für ca. 15 - 35 lit/min Quellzufluss.

Eine Quelle liefert 150 lit/min. Davon sollen ca. 5 lit/min höher gehoben werden.

In diesem Falle ist es nicht nötig, einen hydr. Widder zu verwenden, welcher 150 lit/min verarbeiten kann, da ein bedeutend kleinerer Widder für die verlangte Leistung von 5 lit/min genügt.

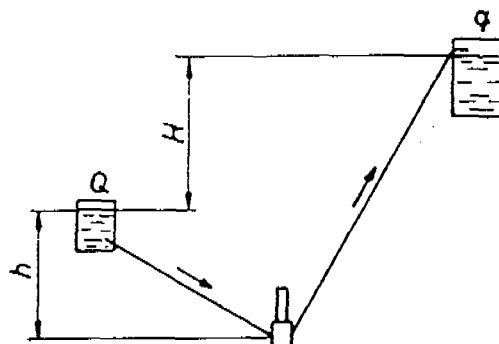
Siehe auch "Leistung des Widders".

Leistung des Widders:

Die Fördermenge richtet sich nach den Höhenverhältnissen und nach der verfügbaren Wassermenge.

Sie wird nach folgender Formel berechnet:

$$q = \frac{h \times Q}{H + h} \times 0.7$$

Skizze 10

q = geförderte Wassermenge

h = Gefälle auf Widder

H = Förderhöhe von Sammelschacht bis zum höchsten Punkt der Förderleitung.

Q = Vorhandene Quell- oder Bachwassermenge

Beispiel 1:

Eine Quelle liefert 30 lit/min Wasser.

Davon soll ein möglichst grosser Teil ca. 20 m höher gepumpt werden.

Nach Tabelle (Seite 9) beträgt das Gefälle auf den Widder ca. 8,5 m. Die Länge der Tribleitung soll ca. das vier- bis fünf-fache des Gefälles betragen, in diesem Falle ca. 34 - 42,50 m (4 - 5 x 8,5 m).

Die Fördermenge beträgt nach obiger Formel:

$$\text{Fördermenge } q = \frac{8.5 \times 30}{20 + 8.5} \times 0.7 = \underline{\underline{6,3 \text{ lit/min}}}$$

Die Fördermenge beträgt 6,3 lit/min oder 9'070 lit/Tag.

Einer Zufluss-Wassermenge von 30 lit/min entspricht ein hydr. Widder Grösse 3, regulierbar für Zuflussmengen von ca. 15 - 35 lit/min. Leitungen und Abmessungen siehe Prospekt.

Beispiel 2:

Eine Quelle liefert 200 lit/min Wasser. Davon soll ein möglichst grosser Teil ca. 80 m höher gepumpt werden.

Nach Tabelle (Seite 9) beträgt das Gefälle auf den Widder ca. 19 m. Die Länge der Triebleitung soll ca. 76 - 95 m betragen. (4 - 5 x 19 m). Die Fördermenge beträgt nach obiger Formel ca. 27 lit/min oder ca. 39'000 lit/Tag.

Für 200 lit/min Zufluss eignet sich ein hydr. Widder Grösse 7, regulierbar für Zufluss von ca. 100 - 200 lit/min. Leitungen und Abmessungen siehe Prospekt.

Das Gefälle kann auch kleiner gewählt werden (siehe Tabelle Seite 10). Entsprechend reduziert sich auch die Fördermenge.

Beispiel 3:

Eine Quelle liefert 150 lit/min Wasser. Davon sollen 5 lit/min 30 m höher gepumpt werden. Das Gefälle beträgt 8 m.

In diesem Falle ist es nicht nötig, einen hydr. Widder zu verwenden, welcher 150 lit/min verarbeiten kann.

Die Wassermenge, welche vom Widder verarbeitet werden muss um eine Fördermenge von 5 lit/min zu erhalten, errechnet sich:

$$Q = \frac{(h + H) \times q}{h \times 0,7} = \frac{(8 + 30) \times 5}{8 \times 0,7} = 34 \text{ lit/min} \\ \text{=====}$$

Der Wasserzufluss auf den Widder muss also 34 lit/min betragen um 5 lit/min auf 30 m zu heben, bei einem Gefälle von 8 m.

Für eine Wassermenge von 34 lit/min eignet sich ein Widder Grösse 3.

Bei sehr ungünstigen Verhältnissen (grosse Förderhöhe und sehr kleines Triebgefälle) kann sich der Wirkungsgrad stark reduzieren.

Armaturen:

Normalerweise liefern wir die Widder mit angebauten Spezialschiebern für Trieb- und Förderleitung, sowie Entleerungshahn. Der Entleerungshahn dient zum Ablassen des oft sehr hohen Druckes im Luftkessel, um diesen gefahrlos demontieren zu können.

Der Entleerungshahn in der Förderleitung muss zwischen Abstellschieber und Luftkessel montiert werden, damit der hydr. Widder entleert werden kann, ohne die Förderleitung zu entleeren. (Siehe Abbildung im Prospekt)

Abstellschieber haben den Vorteil, dass bei einer Kontrolle des hydr. Widders die Anlage mittels der Schieber direkt beim Widder abgestellt werden kann. Andernfalls müssen die Leitungen entleert werden, was etwas mehr Zeit erfordert.

Inbetriebsetzung:

1. Die beiden Abstellschieber sind vollständig zu öffnen.
2. Die obere Regulierschraube (am Schlagventilpendel) wird einige Umdrehungen geöffnet und die Gegenmutter wieder angezogen.
3. Die untere Regulierschraube (am Federträger) ist so heraus zu drehen, dass die Feder ganz entspannt ist.
4. Das Schlagventil wird durch Herunterdrücken des Pendelarmes geöffnet. Durch das ausströmende Wasser wird das Schlagventil wieder zugeschlagen. Diesen Vorgang nötigenfalls mehrmals wiederholen.
Dabei Feder leicht spannen mittels der unteren Regulierschraube. Die Feder darf nur so stark gespannt werden, dass der hydr. Widder einwandfrei läuft.
5. Ueberlauf in der Brunnstube kontrollieren. Mittels oberer Regulierschraube Schlagventilöffnung so einstellen, dass in der Brunnstube immer noch etwas Wasser überläuft.
6. Gegenmutter bei beiden Regulierschrauben anziehen.

Wartung und Unterhalt des Widders:

Unsere Widder erfordern absolut keine Wartung.

Wir empfehlen jedoch, den Widder jährlich einmal zu kontrollieren. Zu diesem Zwecke wird das Wasser im Sammelschacht abgelassen, mittels des Leerlaufstöpsels (Skizze 6), oder bei Ausführung nach Skizze 5 kann im Sammelschacht ein Holzzapfen in die Triebleitung gesteckt werden. Sofern Schieber in den Leitungen vorhanden sind, können nur diese geschlossen werden. Der Entleerungshahn in der Förderleitung wird geöffnet. Die Triebleitung kann sich durch das äussere Ventil entleeren. Auf einfachste Weise kann der Widder demontiert werden, ohne Spezial-Werkzeuge.

Die Dichtungen können von uns bezogen, oder aus einem Stück gutem Leder selber ausgeschnitten werden.

Die Belüftung des Luftkessels erfolgt automatisch, ohne irgend welche Luftventile.

Allgemeines:

Nebst den im Prospekt aufgeführten Normalgrössen fabrizieren wir solche für beliebige Wassermengen.

Es wurden Anlagen ausgeführt mit 1 - 30 m Gefälle und für Förderhöhen bis 200 m in einer Stufe.

Mit Spezialauführungen sind Anlagen im Betrieb bis 70 m Triebgefälle (einstufig), und bis 300 m Höhendifferenz in einer Stufe.

Unsere ältesten Widderanlagen stehen noch heute seit über 90 Jahren zur vollen Zufriedenheit der Besitzer in Betrieb. Ausser dem periodischen Ersetzen der Dichtungen sind keine wesentlichen Störungen oder Reparaturen aufgetreten.

Die einzigen Störungsursachen können sein:

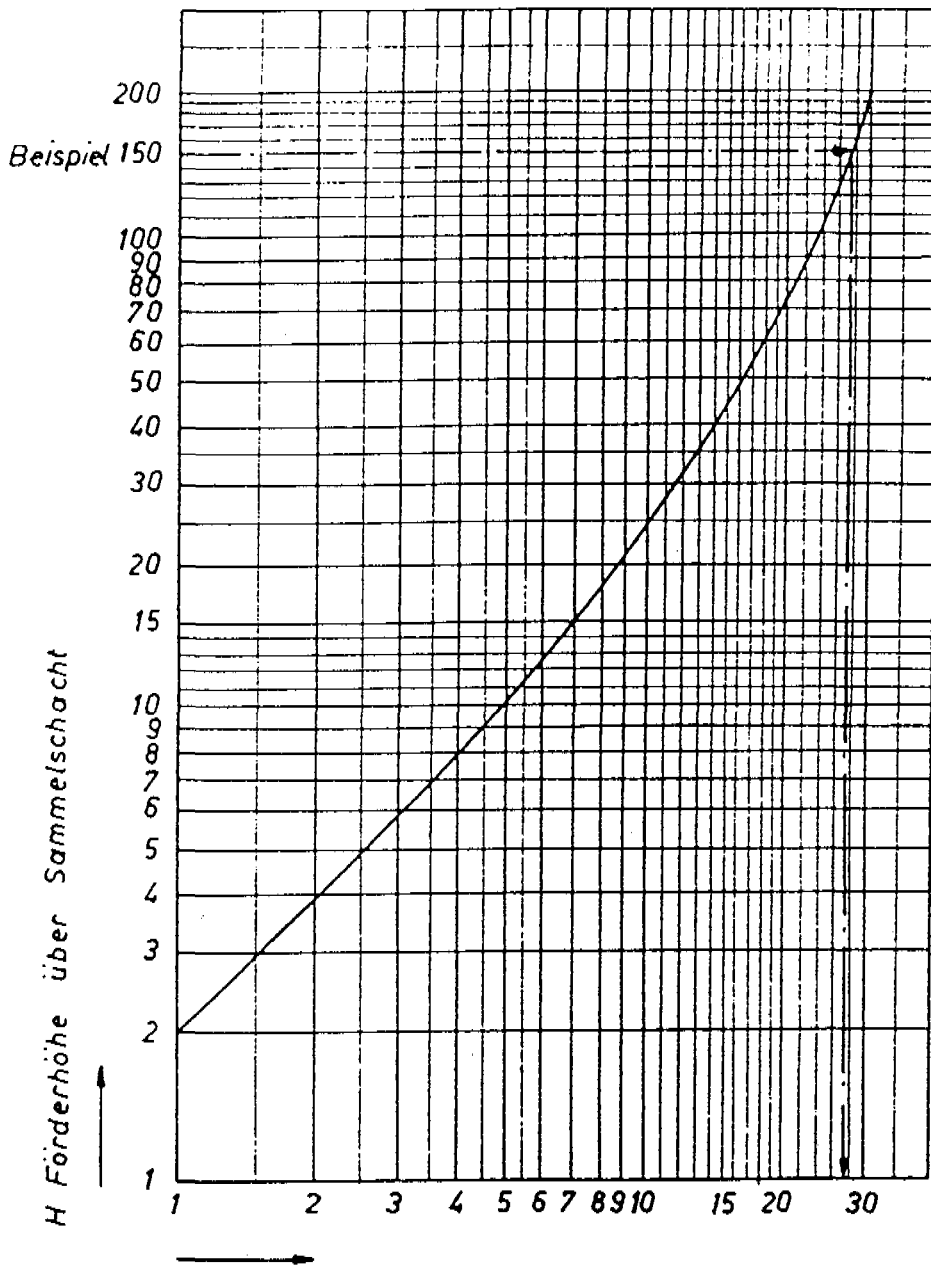
unfachgemässe Erstellung der Anlage, defekte Leitungen oder defekte Dichtungen.

Dadurch, dass die Belüftung bei unsern hydr. Widdern ohne irgenwelche Luftventile erfolgt, fällt eine weitere Störungsursache weg.

Die Ventilbewegung bei unsern hydr. Widdern erfolgt absolut reibungslos. Am Widder sind keine Lager oder Metallführungen, die einer Abnützung unterworfen sind. Am ganzen Widder sind keine Schmierstellen.

Der Schlumpf - Widder hat sich durch seine Einfachheit, Zuverlässigkeit und grosse Leistungsfähigkeit, bei wartungsfreiem Betrieb bestens bewährt, und sich gerade dadurch zum allgemein anerkannten und bezeichnenden Wertbegriff seiner Art durchgerungen.

Gefällstabelle

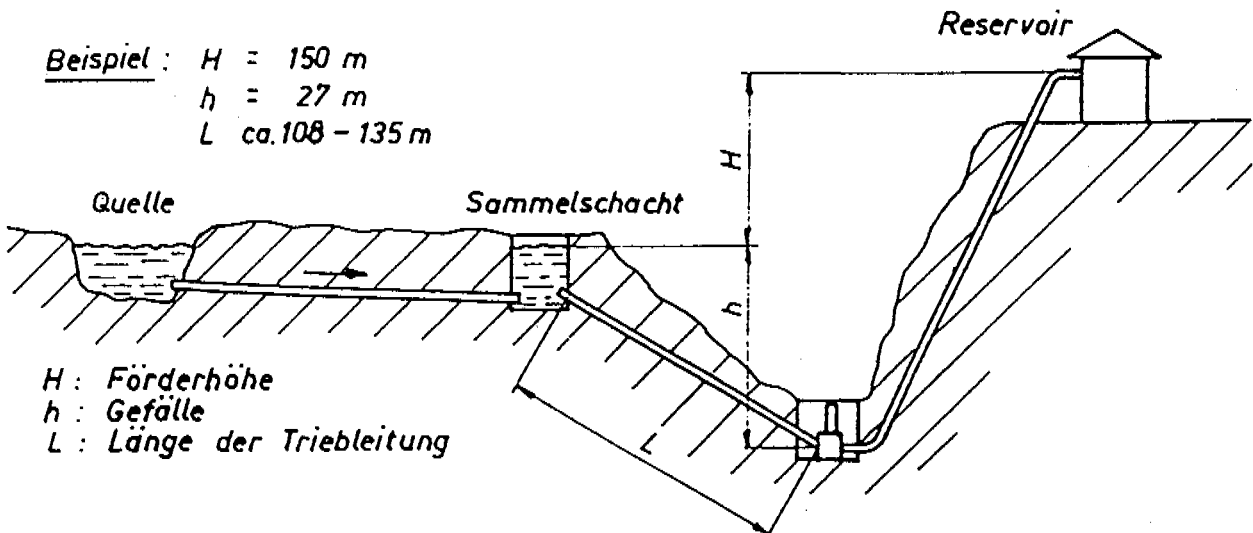


Grosse des Widders	Verarbeitet/min ca. Liter
1	3 - 10
2	6 - 20
3	15 - 35
4	30 - 60
5	50 - 100
6	80 - 150
7	100 - 200
8	150 - 400

h Gefälle vom Sammelschacht auf Widder

Länge der Triebleitung ca. $4-5 \times h$

Beispiel : $H = 150 \text{ m}$
 $h = 27 \text{ m}$
 $L \text{ ca. } 108 - 135 \text{ m}$



H : Förderhöhe
 h : Gefälle
 L : Länge der Triebleitung

Die einzigen Störungsursachen können sein:

unfachgemässe Erstellung der Anlage, defekte Leitungen oder defekte Dichtungen.

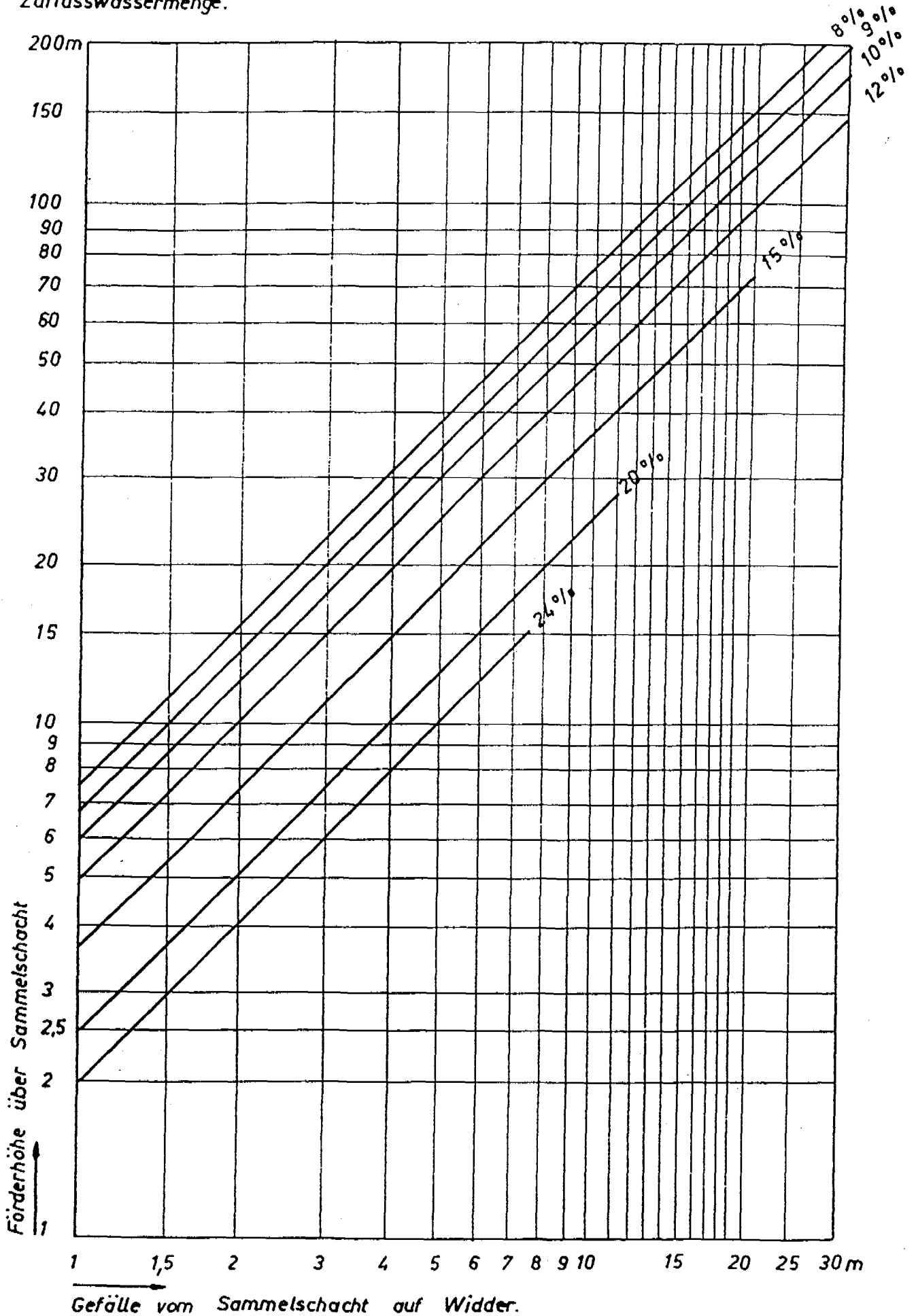
Dadurch, dass die Belüftung bei unsern hydr. Widdern ohne irgenwelche Luftventile erfolgt, fällt eine weitere Störungsursache weg.

Die Ventilbewegung bei unsern hydr. Widdern erfolgt absolut reibungslos. Am Widder sind keine Lager oder Metallführungen, die einer Abnützung unterworfen sind. Am ganzen Widder sind keine Schmierstellen.

Der Schlumpf - Widder hat sich durch seine Einfachheit, Zuverlässigkeit und grosse Leistungsfähigkeit, bei wartungsfreiem Betrieb bestens bewährt, und sich gerade dadurch zum allgemein anerkannten und bezeichnenden Wertbegriff seiner Art durchgerungen.

Gefälls- und Leistungstabelle für hydraulische Widder.

Fördermenge in Prozent der vom Widder verarbeiteten
Zuflusswassermenge.



Pumpes Actionnées à L'eau

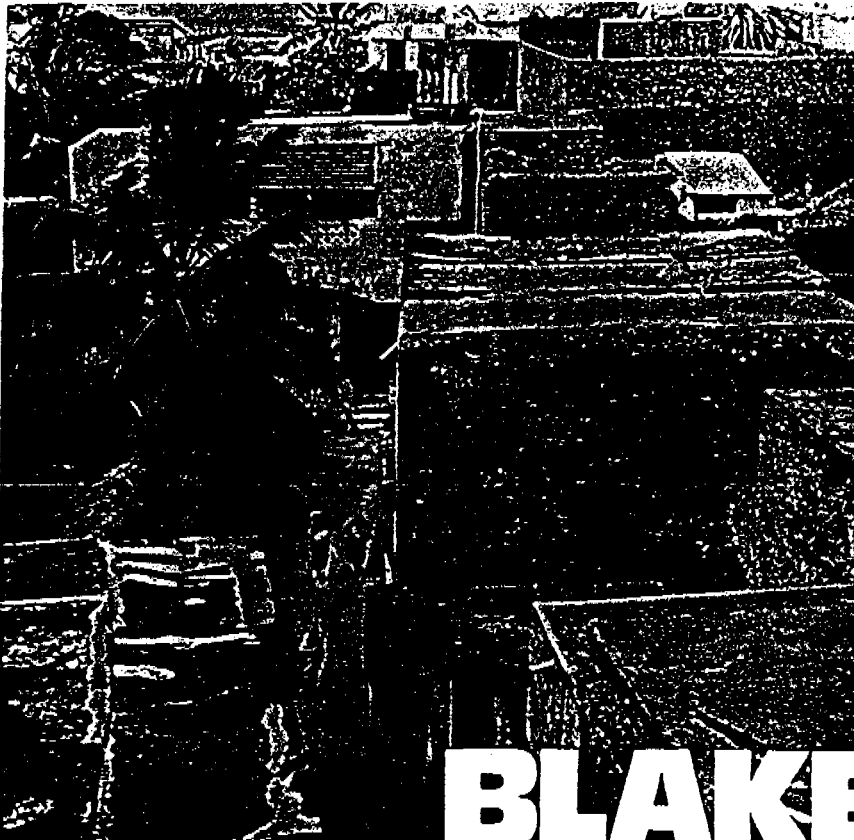
pour l'alimentation en eau des maisons, des villages, du bétail et pour l'irrigation.

Bomas de agua a motor

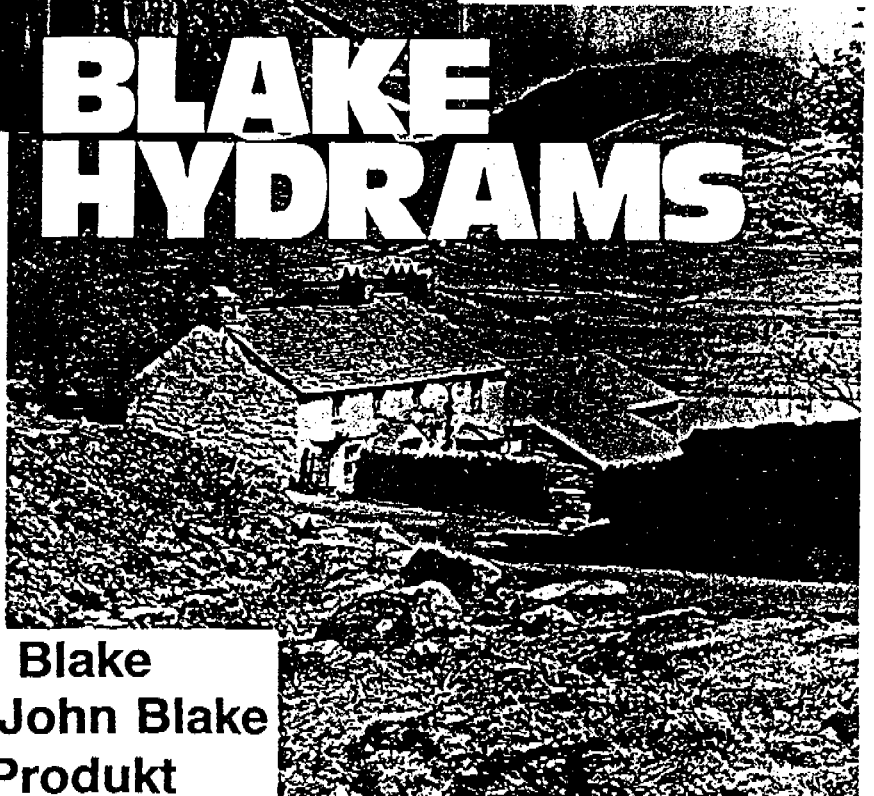
Abastecimiento de agua para casas-aldeas-ganado-irrigación

Wassergetriebene Pumpen

Wasserversorgung fürs Haus - Dorf - Vieh - und für die Bewässerung



BLAKE HYDRAMS



Un produit John Blake
Un producto de John Blake
Ein John Blake Produkt

Installation du bélier Hydram

L'installation complète d'un bélier Hydram nécessite la préparation d'un site approprié capable de fournir l'eau au bélier, et comprenant le système de tuyauteries et de réservoir de refoulement.

Cette brochure donne les informations élémentaires des béliers Hydram et de leurs performances, d'autres fiches techniques sont disponibles pour de plus amples détails.

Le schéma ci-dessous illustre les informations dont nous avons besoin pour préparer une offre de prix et nos recommandations. Les longueurs et les hauteurs peuvent être mesurées en mètres ou en pieds, tandis que les débits doivent être mesurés en litres ou en gallons par minute pour l'alimentation et en litres ou gallons par 24 heures pour le refoulement.

Des fiches d'information sont disponibles au cas où vous auriez besoin d'aide pour la prise des mesures.

Un formulaire d'application simple est aussi disponible pour faciliter le regroupement des données requises.

Instalación Hydram

Para montar una instalación Hydram completa se necesita disponer de un sitio, adecuadamente preparado, con agua de entrada en el ariete y el recorrido necesario de las tuberías laterales de salida.

El presente folleto describe las bombas Hydram básicas y su rendimiento. Se dispone también de hojas de datos con información más detallada.

El diagrama siguiente ilustra la información que requerimos para formular cotizaciones y el asesoramiento necesario. Las distancias de longitud y caída se pueden dar en metros o en pies, y el agua disponible en el tanque de agua en galones o litros por minuto. La cantidad total de agua requerida es mejor evaluarla en litros o galones por 24 horas.

Disponemos de hojas informativas que les facilitarán el cálculo de las medidas requeridas.

También disponemos de un formulario simple de aplicación que les permitirá recoger los datos necesarios para cada caso.

Installation

Die Einrichtung einer kompletten Hydram-Installation bedarf eines in geeigneter Weise vorbereiteten Orts mit der erforderlichen Wasserzufuhr zum Widder sowie den Abgangsrohrleitungen.

Dieser Prospekt detailliert die Hydram-Grundmodelle und ihre Leistung. Weitere Datenblätter stehen zur Verfügung, um zusätzliche Information zu geben.

Die untenstehende Skizze illustriert welche Information erforderlich ist, um Angebote abgeben und gewünschten Rat erteilen zu können. Die Abmessungen für Länge und Gefälle können in Meter oder Fuß angegeben werden; die am Treibwasserbehälter zur Verfügung stehende Wassermenge muß jedoch in Litern oder Gallonen pro Minute erfolgen. Der Gesamtbedarf an zu pumpendem Wasser wird am besten nach Bedarf in Litern oder Gallonen pro 24 Stunden ermittelt.

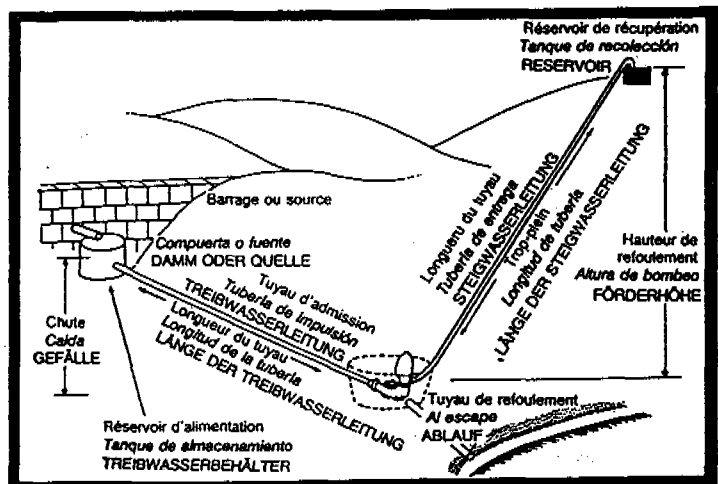
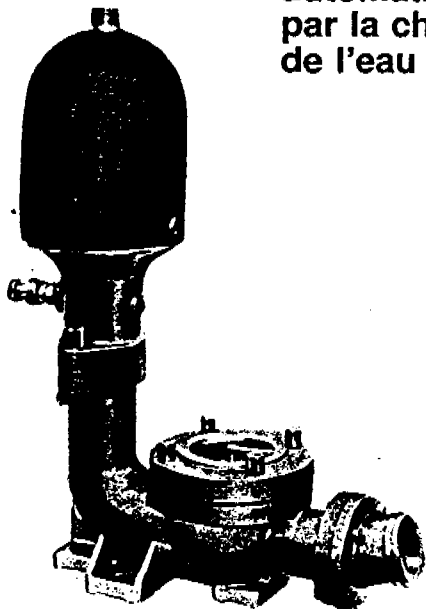
Sollte weitere Hilfe zur Feststellung der verschiedenen Abmessungen erforderlich sein, so stehen geeignete Informationsblätter zur Verfügung.

Ein einfaches Formblatt steht zur Aufnahme der erforderlichen Daten zur Verfügung.

Commandé automatiquement par la chute de l'eau

Operada automáticamente por la caída de agua

Arbeitet automatisch aufgrund des Wassergefalles



Fondé en 1858
Establecidos en 1858.
Established 1858

John Blake Limited

Ingenieurs d'Hydraulique
P.O. Box 43, Royal Works,
Accrington, Lancashire BB5
5LP, Angleterre
Téléphone: Accrington 35441
Télégrammes: Rams Accring-
ton Telex 63242.

Ingenieros Hidráulicos
P.O. Box 43, Royal Works,
Accrington, Lancashire
(Inglaterra) BB5 5LP
Teléfono: Accrington 35441.
Telegramas: Rams Accring-
ton. Telex: 63242.

Wasserbau
P.O. Box 43, Royal Works,
Accrington, Lancashire (Eng-
land)
BB5 5LP Telefon: Accrington
35441. Telex 63242.

Leistung des Hydram-Stoßhebers

Die Leistung eines Hydram-Stoßhebers bestimmt sich nach dem Nutzgefälle des Treibwassers und der Höhe (Senkrechte) auf die das gepumpte Wasser gehoben werden muß (Förderhöhe).

Diese erforderlichen Maßangaben sind auf der Skizze verdeutlicht. Die horizontale Entfernung, über die das gepumpte Wasser geführt wird, wird dadurch berücksichtigt, daß geeignete Rohrdurchmesser gewählt werden. Mehrere Kilometer an Rohrleitungsstrang sind durchaus möglich.

Der Leistungsumfang ist ebenfalls angegeben: Die erste Tabelle gibt die Wassermenge an, die in 24 Stunden gefördert wird und zwar pro Liter Treibwasser.

Sind also das Nutzgefälle (m) und die Förderhöhe (Senkrechte) bekannt, so kann die Durchsatzmenge pro 24 Stunden bestimmt werden. Bei einem Nutzgefälle von 6 m z.B. und einer Förderhöhe (Senkrechte) von 20 m ist der Hydram-Stoßheber in der Lage, 282 Liter Wasser pro 24 Stunden pro Liter Treibwasser zu fördern. Wenn also angenommen wird, daß 10 Liter pro Minute Treibwasser fließen, so werden $10 \times 282 = 2820$ Liter Wasser in ein Reservoir gepumpt, das sich 20 m höher befindet als der Hydram.

Umgekehrt betrachtet: wenn der Tagesbedarf insgesamt bekannt ist und z.B. 20.000 l beträgt und die erforderliche Treibwassermenge pro Minute ermittelt werden soll, so braucht nur der Gesamtbedarf mit der Förderleistung des Hydrams pro Liter Treibwasser dividiert zu werden: z.B. $20.000 : 282 = 70$ l Treibwasser pro Minute erforderlich.

Selection du Belier Hydram

Le tableau ci-dessous donne les diverses tailles de bélier Hydram disponibles ainsi que le volume d'eau par minute accepté par chaque type.

Dans l'exemple précédent, nous avons déterminé que pour obtenir 20.000 litres par jour à une hauteur de refoulement de 20 m, il fallait un débit d'admission de 70 litres par minute pour une hauteur chute de 6 m.

D'après le tableau, on constate que le modèle 3,5 acceptera la quantité d'eau d'admission requise, et permettra une variation de volume d'admission entre 45 et 96 litres par minute. La tolérance inférieure indique le débit minimum accepté par le bélier Hydram en temps de sécheresse, et pour ce débit le volume d'eau pompé sera réduit de moitié.

Taille du bélier Hydram			1	2	3	3½	4	5	6	7	8	10
Volume d'eau d'alimentation disponible	Litres par minute	De	7	12	27	45	68	136	180	750	1136	1545
		A	16	25	55	96	137	270	410	364	545	770
Hauteur de refoulement maximum	Mètres		150	150	120	120	120	105	105	105	105	105
Diamètre nominal du tuyau d'admission	mesure en mm		32	40	50	65	80	100	125	150	175	200

Como seleccionar la bomba Hydram

En la tabla siguiente se relacionan los varios tamaños de bombas Hydram junto con el volumen de agua por minuto que pueden admitir.

En base al ejemplo anterior, se determinó que para obtener 20.000 litros por día a una altura de 20 m por encima de la bomba se necesitarían 70 litros por minuto si la caída en el lado de entrada es de 6 m.

En base a la tabla se observará que el tamaño 3½ admite el agua de impulsión requerida y permite variar el volumen en el lado de entrada entre 45 y 96 litros por minuto. El límite inferior indica el flujo mínimo que admite la bomba Hydram durante periodos de sequía, y a este flujo se bombeará solamente la mitad de la cantidad máxima de agua.

Tamaño de bomba Hydram			1	2	3	3½	4	5	6	7	8	10
Volumen disponible de agua de impulsión	Litros por minuto	De	7	12	27	45	68	136	180	750	1136	1545
		A	16	25	55	96	137	270	410	364	545	770
Máxima altura de bombeo de la bomba Hydram	Metros		150	150	120	120	120	105	105	105	105	105
Diametro nominal de la tubería de impulsión	mm d'int.		32	40	50	65	80	100	125	150	175	200

Wahl eines Hydram-Stoßhebers

In der nachstehenden Tabelle sind die verschiedenen Hydram-Größen mit dem jeweiligen Wasseraufnahmavolumen pro Minute angegeben.

Beim zuvor gebrauchten Beispiel wurde ermittelt, daß zur Förderung von 20.000 l pro Tag auf eine Höhe von 20 m über dem Hydram 70 l pro Minute an Treibwasser erforderlich sind, wenn das Nutzgefälle auf der Treibwasserseite 6 m beträgt.

Auf der Tabelle ist ersichtlich, daß die Größe 3½ die erforderliche Treibwassermenge aufnehmen kann und eine Volumenschwankung auf der Treibwasserseite von 45 bis 96 l pro Minute zuläßt. Der untere Grenzwert gibt die niedrigsten Durchflußraten an, die in Zeiten von Trockenheit zulässig sind. Bei diesen Durchflußraten würde die Hälfte der Hochstmenge gepumpt.

Größe des Hydram-Stoßhebers			1	2	3	3½	4	5	6	7	8	10
Verfügbares Treibwasservolumen	Liter pro Minute	von	7	12	27	45	68	136	180	750	1136	1545
		bis	16	25	55	96	137	270	410	364	545	770
Max. Höhe bis Meter zu welcher der Hydram-Stoßheber Wasser pumpt	mm Innendurchmesser		150	150	120	120	120	105	105	105	105	105
Nennerdurchmesser der Treibwasserleitung	Zoll Innendurchmesser		32	40	50	65	80	100	125	150	175	200

Principe du Hydram

DESCRIPTION

Le Blake Hydram est un bélier hydraulique n'utilisant seulement que l'énergie contenue dans un courant d'eau. Le Hydram fonctionne continuellement vingt-quatre heures sur vingt-quatre. Il n'utilise aucun carburant, et n'engendre par conséquent aucun frais d'exploitation ni de pollution.

Le Hydram moderne utilise un ancien principe de physique d'une manière simple mais efficace pour déplacer de l'eau entre un ruisseau ou une rivière vers les endroits où elle est le plus requise. Il suffit qu'il y ait une source d'eau potable, et le belier peut fournir de l'eau à des maisons ou communautés éloignées, permettre l'irrigation de terres inaccessibles et assurer l'abreuvement des troupeaux. Les pièces mobiles sont limitées à des vannes à disque en caoutchouc, et l'entretien est simplement une question de s'assurer que les conduites et orifices sont propres et assurent un écoulement libre.

La bomba HYDRAM en principio

DESCRIPTION

La bomba Blake Hydram es una bomba de agua mecánica que utiliza únicamente la energía contenida en una corriente de agua. La bomba Hydram funciona continuamente día tras día. No requiere ningún combustible, por lo que se evita, de esta forma, el costo y la contaminación. La moderna bomba Hydram emplea un principio físico muy antiguo, de manera simple pero efectiva, para mover agua de un riachuelo o río a los lugares donde más se necesita.

En donde existe suficiente cantidad de agua limpia y adecuada, la bomba sirve para abastecer de agua las casas o comunidades remotas, para irrigar zonas inaccesibles y para mantener el suministro de agua para ganado en lugares ubicados a gran distancia de cualquier corriente de agua.

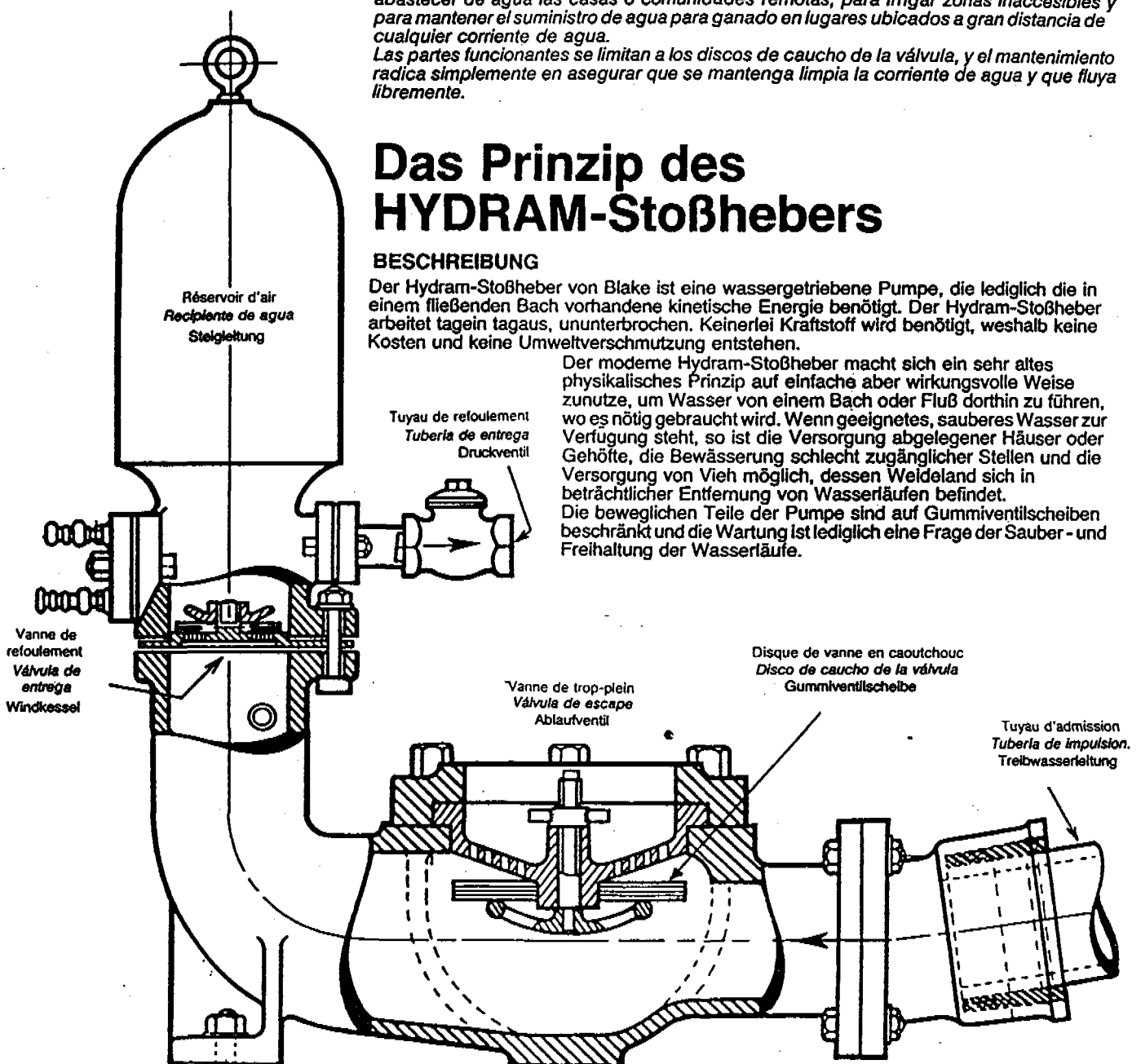
Las partes funcionantes se limitan a los discos de caucho de la válvula, y el mantenimiento radica simplemente en asegurar que se mantenga limpia la corriente de agua y que fluya libremente.

Das Prinzip des HYDRAM-Stoßhebers

BESCHREIBUNG

Der Hydram-Stoßheber von Blake ist eine wassergetriebene Pumpe, die lediglich die in einem fließenden Bach vorhandene kinetische Energie benötigt. Der Hydram-Stoßheber arbeitet tagein tagaus, ununterbrochen. Keinerlei Kraftstoff wird benötigt, weshalb keine Kosten und keine Umweltverschmutzung entstehen.

Der moderne Hydram-Stoßheber macht sich ein sehr altes physikalisches Prinzip auf einfache aber wirkungsvolle Weise zunutze, um Wasser von einem Bach oder Fluß dorthin zu führen, wo es nötig gebraucht wird. Wenn geeignetes, sauberes Wasser zur Verfügung steht, so ist die Versorgung abgelegener Häuser oder Gehöfte, die Bewässerung schlecht zugänglicher Stellen und die Versorgung von Vieh möglich, dessen Weideland sich in beträchtlicher Entfernung von Wasserläufen befindet. Die beweglichen Teile der Pumpe sind auf Gummiventilscheiben beschränkt und die Wartung ist lediglich eine Frage der Sauber- und Freihaltung der Wasserläufe.



INFORMATION SHEET

John Blake Limited

P.O. Box 43, Royal Works, Accrington, Lancashire, BB5 5LP
 Telephone Accrington 35441, Telegrams Rams Accrington Telex 63242

Serial No	
Issue :	
Dated :	
Sheet	of

Subject:

EXPORT PRICE LIST FOR J.BLAKE HYDRAMS AND OPTIONAL EXTRAS

MAY 1983

Info. Sheet Cat. No.

The prices are given for the HYDRAM also some optional extras such as a set of recommended spares and a set of useful ancillaries made to aid installation.

SIZE	HYDRAM £ NET	ANCILS. £ SET	SPARES £ SET	F.O.B. £	GROSS WT. kg.
1	190.10	29.70	11.00	43.40	68
2	244.70	30.35	11.35	47.50	86
3	344.50	35.65	11.35	48.70	100
3.5	480.65	47.50	12.20	61.30	173
4	564.30	49.35	15.10	63.30	205
5X	857.75	81.45	18.15	76.75	292
5Y	1015.75	83.80	21.70	87.00	367
6X	1100.10	101.60	24.10	72.00	355
6Y	1463.60	104.00	32.70	82.80	482
7X	2263.15	121.15	46.35	105.50	622
7Y	2626.65	121.15	46.35	121.90	876
8X	3638.85	136.60	61.25	107.20	789
8Y	4002.35	136.60	61.25	128.80	976
10X	5265.20	156.80	82.60	150.20	1137
10Y	5628.75	156.80	82.60	150.20	1137

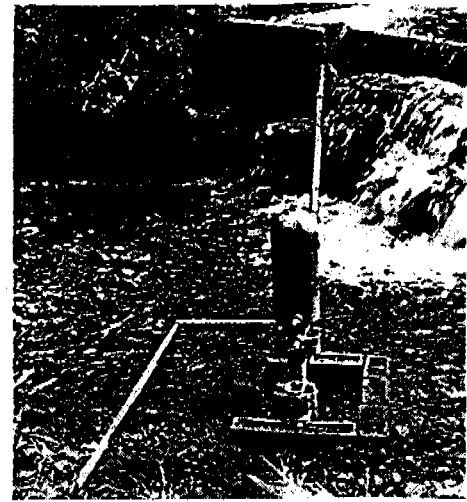
The prices shown for F.O.B. refers to one unit only

FONCTIONNEMENT

Le Hydram reçoit l'eau avec une force et une vitesse considérable par l'intermédiaire d'une tuyauterie d'admission inclinée. L'eau s'échappe par la vanne de trop-plein jusqu'à ce que la pression sur le disque en caoutchouc soit suffisante pour le fermer. L'eau continue à s'écouler dans le corps du béliet, toujours avec la même force et vitesse, passe à travers la vanne de refoulement et entre dans le réservoir d'air.

L'air contenu dans le réservoir, joue un rôle similaire à celui d'un ressort, absorbe l'impulsion de l'eau jusqu'à ce que le bruit caractéristique du coup sourd du béliet soit entendu, lorsque les pressions sont inversées sous la forme d'une onde de choc. Cette onde se propage dans l'eau et revient à travers le béliet et la tuyauterie d'admission, faisant ouvrir la vanne de trop-plein et fermer la vanne de refoulement. L'eau enfermée dans le réservoir d'air est alors poussée dans la tuyauterie de refoulement vers le réservoir de stockage. Le cycle complet est alors répété une fois de plus.

L'action étant continue, il y a toujours un écoulement d'eau dans la tuyauterie de refoulement.



COMO FUNCIONA

Se hace pasar el agua, con considerable fuerza y velocidad, a través de una tubería inclinada que conduce a la bomba Hydram. El agua se vierte a través de la válvula de escape hasta que la presión sobre el disco de caucho de la misma la cierra.

El agua fluye por el cuerpo de la bomba — con fuerza y velocidad todavía — hasta la válvula de entrega, pasando luego al recipiente de aire.

El aire dentro del recipiente — que actúa como resorte — absorbe el momento del agua hasta que se oye el 'zumbido' característico de la bomba Hydram, el cual indica que se han invertido las presiones en forma de ola de choque. Esta viaja a través del agua pasando por el ariete y la tubería de entrega en cuyo momento se abre de nuevo la válvula de escape y se cierra la de entrega. El agua retenida en el recipiente de aire pasa a la tubería de entrega y de esta al tanque de almacenamiento. Se repite luego el ciclo completo.

Por cuanto la acción es continua, parte del agua fluye siempre a través de la tubería de entrega.

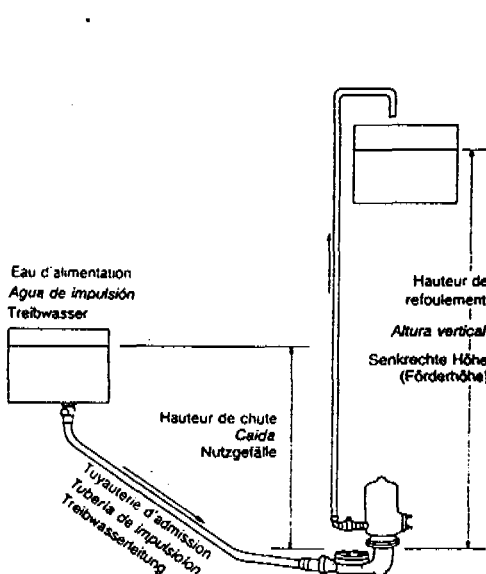
FUNKTIONSWEISE

Wasser fließt mit beträchtlicher Geschwindigkeit und Kraft eine mit entsprechendem Gefälle verlegten Treibwasserleitung hinab und in den Hydram-Stoßheber. Das Wasser fließt solange durch das Ablaufventil hindurch, bis der auf die Gummischeibe des Ventils ausgeübte Druck das Ventil schließt.

Jetzt fließt das Wasser durch den Pumpenkörper weiter - immer noch mit Geschwindigkeit und Stoßkraft - durch das Druckventil und in den Windkessel.

Das Luftpolster im Windkessel, das wie eine Feder wirkt, fängt den Stoß auf bis der wohlbekannte "weiche Stoß" des hydraulischen Widders hörbar wird, der dann erfolgt, wenn der Druck in Form einer Druckwelle zurückschlägt. Diese Druckwelle wandert durchs Wasser zurück und verläßt den Widder durch die Treibwasserleitung, worauf sich das Ablaufventil wieder öffnet und das Druckventil sich schließt. Das Wasser, das nun im Windkessel eingeschlossen ist, wird durch die Steigleitung ins Reservoir verdrängt und der Zyklus beginnt aufs neue.

Der Vorgang ist kontinuierlich, weshalb stets Wasser durch die Steigleitung fließt.



Hauteur de chute (m) Caída (metros) Nutzgefälle (m)	Hauteur de refoulement verticale au dessus du béliet Hydram (mètres) Altura vertical a la que debe elevarse el agua por encima de la bomba (metros) Senkrechte Höhe über Hydram-Stoßheber auf die das Wasser gepumpt wird (Förderhöhe in m)													
	5	7.5	10	15	20	30	40	50	60	80	100	125		
1.0	144	77	65	33	29	19.5	12.5							
1.5		135	96.5	70	54	36	19	15						
2.0		220	156	105	79	53	33	25	19.5	12.5				
2.5		280	200	125	100	66	40.5	32.5	24	15.5	12			
3.0			260	180	130	87	65	51	40	27	17.5	12		
3.5				215	150	100	75	60	46	31.5	20	14		
4.0				255	173	115	86	69	53	36	23	16		
5.0				310	236	155	118	94	71.5	50	36	23		
6.0					282	185	140	112	93.5	64.5	47.5	34.5		
7.0						216	163	130	109	82	60	48		
8.0							187	149	125	94	69	55		
9.0							212	168	140	105	84	62		
10.0							Litres pompés en 24 heures par litre/minute d'eau d'admission.		245	187	156	117	93	69
12.0							LITROS BOMBADOS EN 24 HORAS POR LITRO/MINUTO DE AGUA DE IMPULSION		295	225	187	140	113	83
14.0							IN 24 STUNDEN GEPUMPT LITERZAHL PRO LITERMIN. TREIBWASSER		265	218	167	132	97	
16.0									250	187	150	110		
18.0									280	210	169	124		
20.0										237	188	140		

Préparations requises pour l'installation d'un bélier Hydrum

L'utilisation d'un bélier Hydrum nécessite la disponibilité d'une source d'eau à écoulement continu.

L'illustration montre une installation simplifiée — qui est normalement utilisée pour des sources semi-permanentes. Elle montre cependant les éléments principaux du système. Le réservoir d'alimentation d'eau est alimenté directement par le ruisseau, et est installé à un niveau plus élevé que le bélier qui lui est installé sur le bord du ruisseau. L'eau est amenée vers le bélier par un tuyau d'admission. Une partie de l'eau est pompée vers une citerne placée à un niveau plus élevé, par l'intermédiaire d'un tuyau de refoulement, le reste de l'eau étant renvoyé dans le ruisseau.

En règle générale, des installations plus importantes et permanentes nécessiteraient des bases en béton et une protection plus élaborée.

Requerimientos básicos de una instalación Hydrum

Para poder emplear una bomba Hydrum es necesario primero disponer de un suministro continuo de agua fluyente.

La ilustración muestra una instalación muy simplificada — empleada normalmente para abastecimiento semipermanente, pero que dispone de los elementos principales de un esquema. La fotografía muestra el tanque de alimentación de agua alimentado directamente a partir de la corriente. El tanque va instalado a un nivel superior al de la bomba Hydrum que está ubicada en la orilla de la corriente. El agua pasa del tanque a la bomba a través de una tubería de impulsión. Parte del agua es bombeada a un tanque, colocado a nivel superior, a través de la tubería de entrega, en tanto que el resto del agua se vierte otra vez en la corriente. Las instalaciones permanentes normales de mayor tamaño requerirán bases de concreto de mayor envergadura y alojamientos, etc.

Voraussetzungen für die Installation eines HYDRAM-Stoßhebers

Um einen Hydrum-Stoßheber einsetzen zu können, muß ein geeigneter, kontinuierlich fließender Wasserlauf vorhanden sein.

Die Abbildung zeigt eine stark vereinfachte Installation, wie sie normalerweise bei zeitlich begrenztem Einsatz aufgebaut wird. Die Hauptbestandteile der Anlage sind jedoch deutlich zu erkennen. Es wird der Treibwassertank gezeigt, der direkt vom Bach versorgt wird. Er ist auf höherer Ebene angebracht als der Hydrum-Stoßheber, der am Ufer des Bachs verankert ist. Das Wasser wird vom Treibwassertank die Treibwasserleitung hinab in den Hydrum-Stoßheber geführt. Ein Teil des Wassers wird über eine Steigleitung in ein Reservoir gepumpt, während der Rest des Wassers in den Bach zurückfließt.

Größere, auf Dauer gebaute Installationen würden massivere Betonfundamente erfordern und müßten umbaut sein.

Performances du belier Hydrum

La performance du bélier Hydrum est déterminée par la hauteur de chute de l'eau et la hauteur à laquelle l'eau doit être refoulée. Ces dimensions sont indiquées sur le petit schéma. La distance horizontale sur laquelle l'eau doit se déplacer est prise en considération pour la détermination du diamètre des tuyaux. Plusieurs kilomètres peuvent très bien être couverts.

Les performances du bélier Hydrum sont indiquées dans les tableaux ci-dessous. Le premier tableau donne la quantité d'eau pompée en 24 heures pour chaque litre d'eau s'écoulant dans la tuyauterie d'admission par minute.

Le débit par 24 heures peut donc être déterminé lorsque l'on connaît la hauteur de chute (en mètres) et la hauteur de refoulement (en mètres). Par exemple, pour une hauteur de chute de 6 m et une hauteur de refoulement de 20 m, le bélier débitera 282 litres pour chaque litre/minute admis dans le tuyau d'admission. Par conséquent, si le débit du ruisseau dans le bélier était de 10 litres/minute, un réservoir placé à 20 m au dessus du bélier recevrait 2820 litres par jour.

Alternativement, si le besoin journalier total est connu, disons 20.000 litres, on pourra calculer la quantité d'eau d'admission requise par minute en divisant le besoin total par le débit du bélier par litre d'eau d'admission. Exemple, $20.000 \div 282 = 70$ litres/minute.

El rendimiento de la bomba Hydrum

El rendimiento de una Hydrum es determinado por la altura de la caída del agua, así como por la altura vertical a la que se debe bombear el agua.

Estas distancias quedan indicadas en el diagrama pequeño. La distancia horizontal por la que debe fluir el agua se debe considerar también, seleccionándose al efecto los tamaños adecuados de tubería. Esta distancia puede ser fácilmente de varios kilómetros.

Se ilustran también las cifras de rendimiento de las bombas HYDRAM. La primera tabla relaciona la cantidad de agua bombeada durante 24 horas por litro de agua que fluye por la tubería de impulsión en un minuto.

De esta forma es posible determinar la cantidad durante 24 horas en base a la altura de caída (metros) y a la altura vertical (metros). Ejemplo: con 6 m de caída y 20 m de altura vertical, la bomba Hydrum pasará 282 litros de agua cada 24 horas por cada litro por minuto que entre en la bomba. Por lo tanto, si entran 10 litros de agua por minuto en la bomba, el rendimiento será equivalente a $10 \times 282 = 2820$ litros de agua por día almacenada en un tanque ubicado 20 m por encima de la bomba Hydrum.

Alternativamente, si se conoce el requerimiento diario total de agua, digamos, 20.000 litros, para encontrar el agua de impulsión requerida por minuto se divide el requerimiento total por la capacidad de la bomba por litro de agua de impulsión, es decir, $20.000 \div 282 = 70$ litros por minuto de agua fluyente que entra en la bomba.

John Blake Limited

Water Supply Engineers
Established 1858

P.O. Box 43, Royal Works, Accrington, Lancashire, BB5 5LP

Telephone: Accrington 35441 Telegrams: Variator Accrington Telex: 63242

Registered Office as above.

Registered in England.

Registration No. 52780

JOHN BLAKE HYDRAM

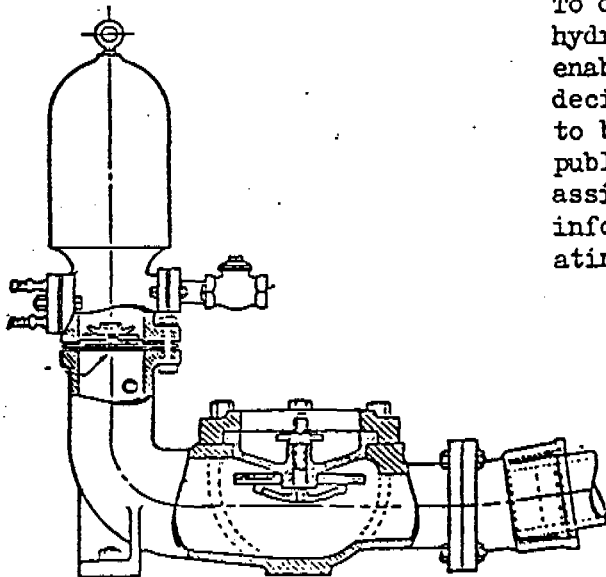
The measurements which are needed to determine the feasibility of a hydram installation.

INTRODUCTION

The literature describing the John Blake Hydram indicates the device to be a water powered pump, where the energy of water flowing down an inclined pipe into the hydram is used to pump part of that water to considerable heights.

A ram installation requires the availability of both a constant flowing water source and suitable terrain.

To determine the suitability of a hydram for an application, and to enable a size of unit to be decided, certain measurements need to be taken. The purpose of this publication is to provide some assistance in obtaining this information without it necessitating the use of expert help.



Chairman: J.O. Sewell Managing Director: J.J. Hailam.
Directors: E. Thompson, D.J. Ment, J.H.F. Black.
Secretary: J. Taylor



A Member of the GEI International Group

THE MEASUREMENTS:

The diagram (a), which shows a simplified installation, is marked to indicate certain measurements required in the design of a suitable system. For the sake of clarity, all dimensions are imperial units of feet and gallons. Some conversion factors for metric units are given later.

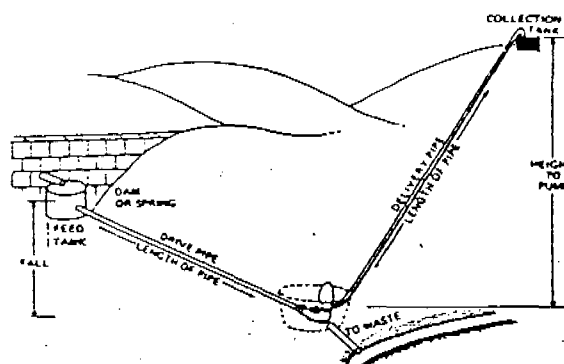


Diagram A

From the diagram, you will see the required measurements are:-

- (a) the fall
- (b) the height to which the water must be pumped
- (c) the amount of water available.

These measurements must be reasonably accurate as they affect the size of the hydram required. The following measurements, although not as critical are very helpful in providing a basis for costing and the sizing of associated pipework. They are:-

- (d) the distance between the feed water tank and the site of the hydram (i.e. the length of the drive pipe)
- (e) the length of the pipework between the hydram and the collection tank at the high point.

One further factor needs to be considered and is perhaps the most important, that is, the total daily volume of water required to be pumped to the highest point. This figure of volume required is not normally measured, but calculated from a table of typical water consumptions for various purposes. (A simplified table is set out later in this write-up.)

MAKING THE MEASUREMENTS:

Measuring (a) the fall and

(b) the height to pump

The technical term for taking these measurements is "levelling" and the principles involved are illustrated by the accompanying diagrams.

A Surveyor, would of course, use an optical level or theodolite, but these notes assume these are not available.

The diagrams show two methods of levelling, the diagram (b) illustrating the method employed on rather flat or slowly falling ground and (c) on steep ground.

The material needed is a spirit level and some lengths of wood used as follows:-

- i A range pole cut to an exact length say 10 feet.
- ii A straight edge - say 5 feet long.
- iii Pegs - say 3 feet long.

METHOD NO 1: (DIAGRAM B)

In this method it is best to level from the top and to proceed down-hill. A peg, is driven into the ground, with a second peg about 5 feet from it, to support the ends of the straight edge. The spirit level is put on the straight edge and the supporting pegs driven down

A coin is then placed on each end of the straight edge as "sighting points". An assistant should then take the range pole down-hill, until a point is found where the top of the pole is exactly level with the line of sight as shown in the diagram (b). A peg is driven into the ground where the pole rested. The straight edge is then moved and set up again over the new peg the pole is moved further down the hill and a sight taken as before. The process is repeated until the whole distance is covered.

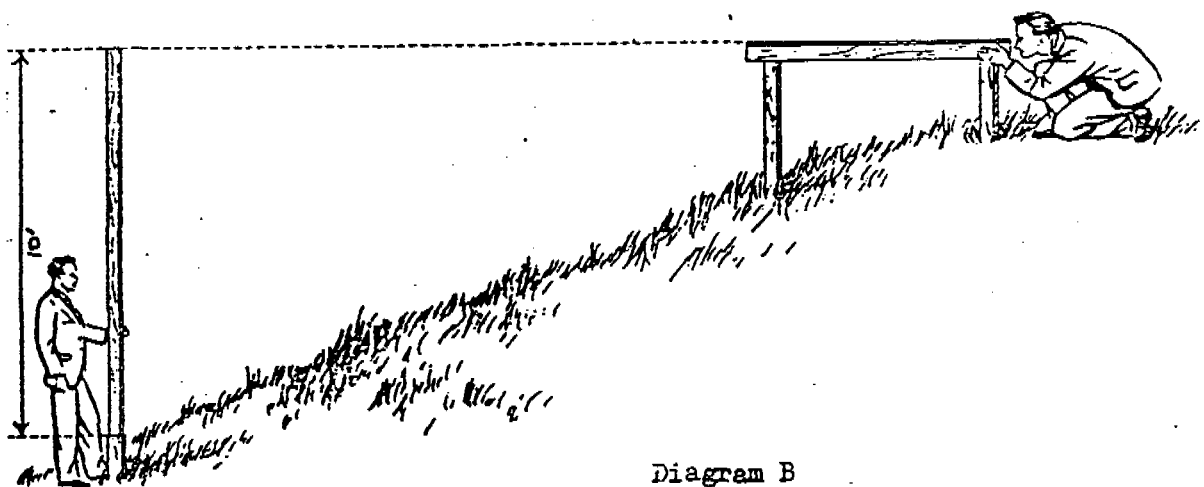
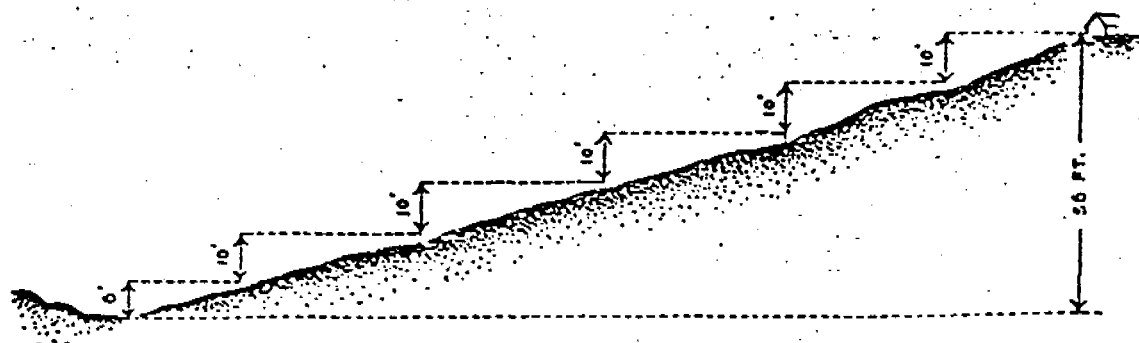


Diagram B



In this example as we chose 10 feet as the length of the range pole the vertical distance from peg to peg will be 10 feet, thus by counting the number of pegs used, the difference of level from starting point to finish can be determined.

Some adjustments will need to be made. For example the height of the straight edge above the pegs must be taken into account at each sight and deducted from the length of the sight pole.

If the ground is not very steep the horizontal distance from peg to peg may be 70 to 100 yards.

By careful levelling and sighting, a very accurate result may be obtained.

METHOD NO 2: (DIAGRAM C)

This method is used chiefly for levelling short distances or over very steep ground. A straight edge say 12-foot long is used, and pegs driven into the ground, say every 12 feet.

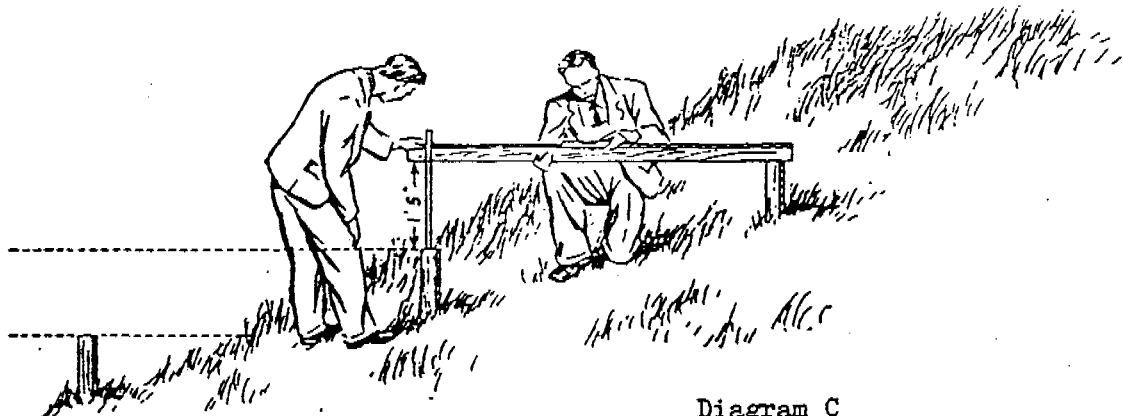


Diagram C

The difference of level is then taken from peg to peg in the manner shown in the diagram, using a rule. The other measurements of length which need to be made, namely

- (d) the length of the drive pipe and
- (e) the distance between the hydram and storage tank are, as stated, not critical, but need to be taken with reasonable accuracy and are best measured by means of a flexible measuring tape.

THE DETERMINATION OF VOLUMES:

The calculation of total water requirement. As the purpose of a hydram installation is to obtain water of sufficient quantity at the required point, it is of course important to decide how much water is to be used, and for what purpose. A calculation as to the requirement can be made by the aid of the following table, which is typical of consumptions by various means.

AGRICULTURAL WATER CONSUMPTION

	<u>Gallons per head per day</u>
Cows in Milk	15
Cooling and Cleaning of Utensils, etc.	15
Bullocks and Dry Cows	10
Horses at Work	10
Horses at Pasture	6
Pigs	3
Sheep	1.5
Goats	1
Poultry: (On Range)	0.05
(In Batteries)	0.125
Domestic: (a) Unsewered	12 to 15
(b) Sewered	20 to 30
	<u>Approx. Gallons per Acre</u> <u>per day</u>
Glasshouses	5,700
Cold Frames	3,200
Overhead Irrigation	2,800

CONVERSION FACTORS:

1 gallon = 4.55 litres
 1 litre = 0.22 gallons
 1 foot = 0.3048 metre

DETERMINING THE AMOUNT OF WATER AVAILABLE TO DRIVE THE HYDRAM:

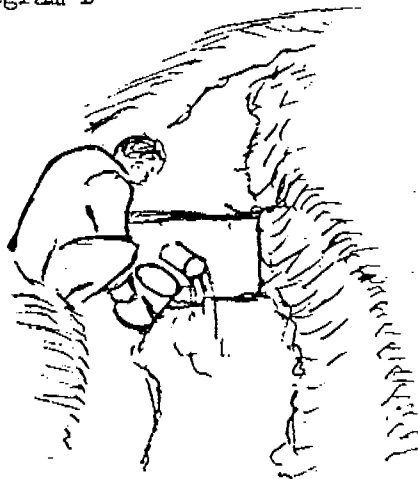
In order to determine the amount of water available in gallons per minute, various methods can be applied, which method is used depends upon the amount of water available.

SMALL FLOWS:

Diagram D

Where a stream is not too wide or flowing too fast, the simplest method is shown in the illustration (d).

This shows a short length of pipe inserted through a temporary dam across a stream. By measuring the time taken to fill a bucket of known volume by means of this pipe, the flow can be measured (i.e. if a bucket of say 3 gallons capacity is filled from the pipe in say 20 seconds, then 3 buckets can be filled in 60 seconds, therefore the flow is obviously 9 gallons per minute).



If necessary, several pipes can be put into the temporary dam and the same measurements taken from each pipe, then by adding all the calculated flows together, the total gallons per minute can be assessed. Flows up to 250 gallons per minute can be measured in this way without difficulty.

MEDIUM FLOWS:

A way of measuring the water flowing in streams of more volume but still fairly small in size is described below, see diagram (e). This uses a board with a V notch cut into it as a dam.

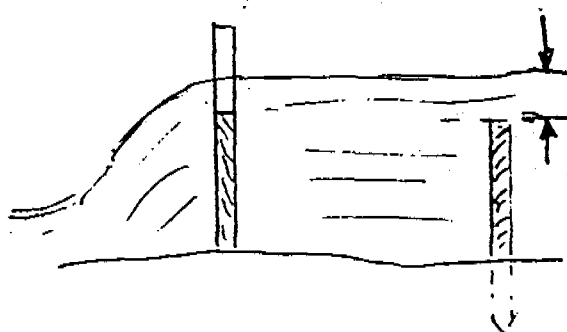
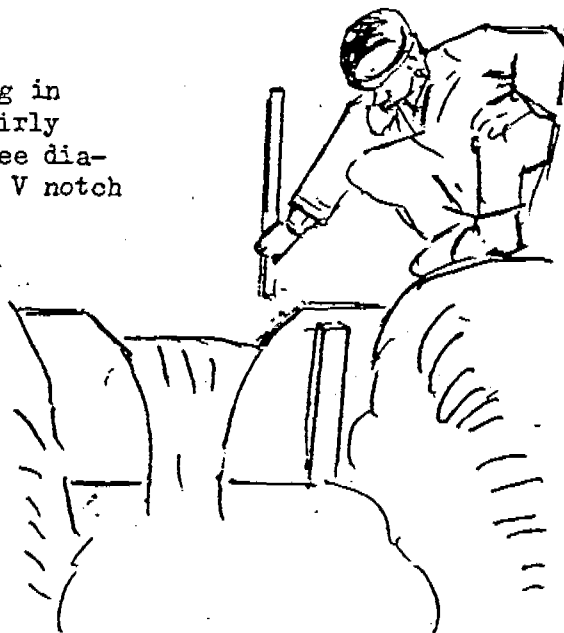


Diagram E



Care should be taken to have the notch cut quite "square" and the edges of the notch or chamfered to a sharp edge. A peg should be driven into the bed of the stream about 3 ft up stream of the board with its top exactly level with the bottom of the V notch.

To gauge the discharge of water through the notch, it is necessary to measure the depth of water over the top of the peg, and by referring to the table below to find the discharge in gallons per minute.

Depth in inches.	Discharge gallons per min.	Depth in inches.	Discharge gallons per min.	Depth in inches.	Discharge gallons per min.	Depth in inches.	Discharge gallons per min.	Depth in inches.	Discharge gallons per min.
2	101	31	431	5	106	61	204	8	343
2½	121	31	471	5½	113	61	214	8½	357
3	141	31	511	5½	121	61	225	8½	371
3½	161	31	56	5½	127	61	235	8½	385
4	181	4	601	5½	134	7	246	8½	400
4½	211	4½	651	5½	142	7½	257	8½	415
5	231	4½	701	5½	150	7½	268	8½	430
5½	261	4½	76	5½	158	7½	280	8½	445
6	291	4½	811	6	167	7½	292	9	461
6½	321	4½	871	6½	174	7½	305	9½	527
7	36	4½	931	6½	185	7½	318	10	601
7½	391	4½	991	6½	194	7½	330	11	762

MEASURING LARGER STREAMS

For larger flows a board with a square sided notch is used. As shown in the diagram the notch should be about $\frac{2}{3}$ of the stream width, with chamfered sides. A peg is driven about 3 ft upstream with its head level with the bottom of the notch. By measuring the water depth above the peg and by knowing the width (W) of the notch, the flow can be calculated from the following table.

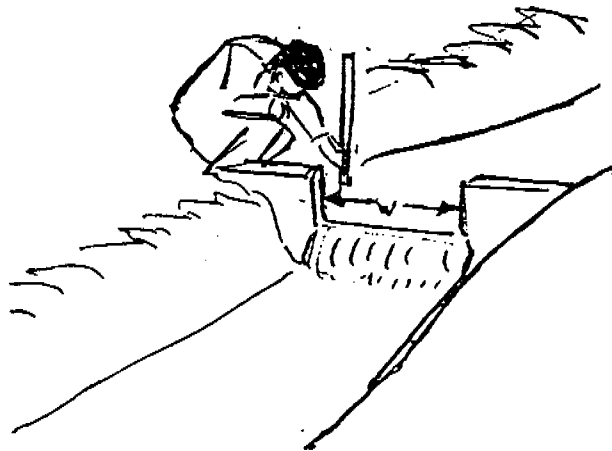


Diagram F

For example, suppose the width of the notch be $4\frac{1}{2}$ ft and the depth of the water passing over the peg be $1\frac{3}{4}$ in. the table gives the discharge of 74 gallons per minute for each foot of width, which multiplied by $4\frac{1}{2}$ equals a discharge of 333 gallons per minute.

Depth. inches.	Discharge per ft. in width. Gallons per minute.	Depth. inches.	Discharge per ft. in width. Gallons per minute.	Depth. inches.	Discharge per ft. in width. Gallons per minute.
7	7	11	66	31	209
11	11	12	74	32	232
20	20	12	82	4	256
24	24	2	90	4½	305
32	32	2½	108	5	358
38	38	2½	126	5½	413
45	45	2½	146	6	470
51	51	3	166	6½	531
58	58	3½	187	7	593

Building and tuning the ITDG automatic hydraulic ram

by Ian A. Gordon and Alex Anderson*

B2133/336

11.12.87

This article assesses the performance of the ITDG hydraulic ram and describes a method of 'tuning' which allows it to obtain its full potential.

THE automatic hydraulic ram is a water-lifting device with a long history.¹ Through the efforts of ITDG² and other similar organizations, it is undergoing a revival of interest. ITDG has published comprehensive instructions for the construction of a cheap hydraulic ram.³ To encourage the use of this design, a study has been carried out by the authors with three objectives:

The actual performance of the ITDG ram has been measured, because the manual³ does not include such data, making it difficult to evaluate whether this cheap, workshop-assembled design would be competitive with commercially available factory products.²

- The construction of the ITDG ram and an alternative design of impulse valve (which does not require welding) are described and assessed.
- A ram has to be 'tuned' in order to reach its full potential. The procedure described in the manual³ is potentially time-consuming and involves the difficult activity of measuring flow-rates. A much simpler alternative has been devised which eliminates flow measurement altogether.

ITDG ram performance

Many communities will not be in a position to choose between an ITDG ram and a commercial product simply because of the amount of money required to buy the latter. For those who do have a choice, relative performance must be a factor.

*Ian Gordon works for W.H. Allen of Bedford and recently completed a degree in Mechanical Engineering at Newcastle. Alex Anderson worked on water-power projects before becoming a lecturer. He can be contacted at Department of Mechanical Engineering, University of Newcastle upon Tyne, NE1 7RU, U.K.

Theoretically, the true efficiency is the best performance criterion, but for a non-technical user who has a requirement for a given delivery flow in a situation where the driving power is effectively 'free', delivery flow is a more practical basis of comparison.

Figure 2 compares the measured delivery performance of the ITDG ram with manufacturer's catalogue data for a typical commercial product of similar size. Over a limited (but practically very useful) delivery head

To assess the performance of a hydraulic ram it is possible to consider either efficiency, of which there are a number of possible definitions (see box for details), or delivery flow-rate.

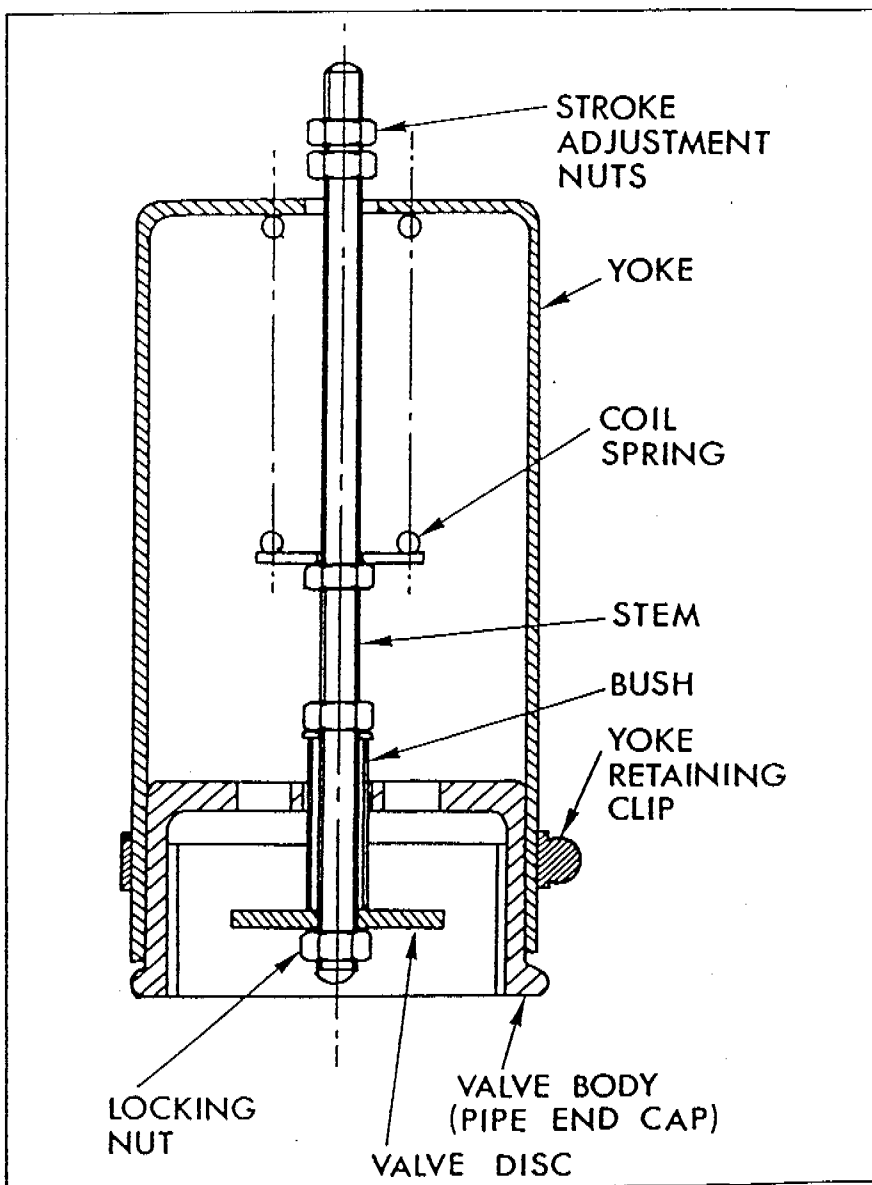
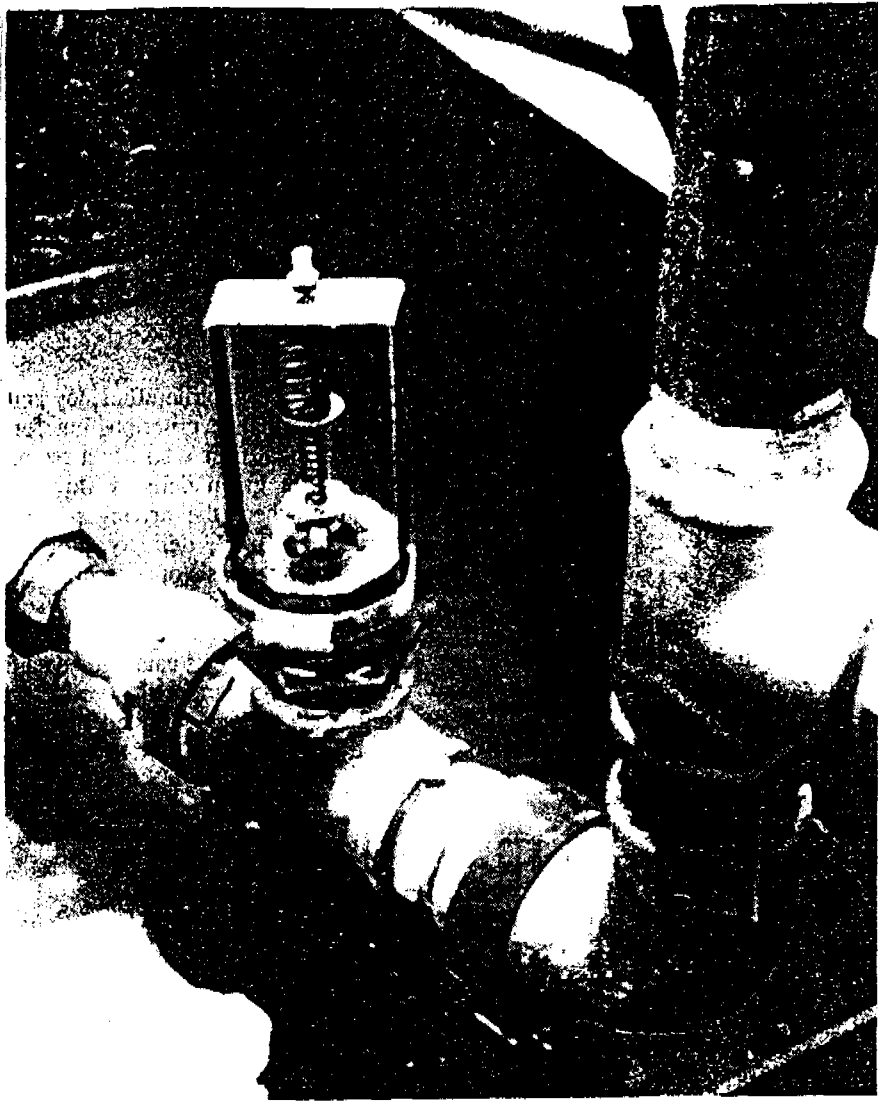


Figure 1. An alternative impulse valve design which needs no welding.



The alternative impulse valve on the ITDG automatic hydraulic ram shown with connection pipes.

range of about 20 to 35 metres the alternative technology device compares well, considering the difference in price between the two choices.

ITDG ram construction

The body of the ram is made by screwing together two-inch or similar (50mm) steel pipe-fittings, and should offer robustness equal to a factory-produced ram. The two valves are made by welding and bolting simple parts on to the body. These will inevitably have a shorter life and require more maintenance than a factory product, but such disadvantages may be offset by the corresponding ease of local repair.

Apart from the welding, facilities are needed to cut, bend and drill pipes and thin sheet steel. The work does not need to be very accurate or finely finished, and few (if any) machines are essential to complete the ram. However, the following points should be noted:

- It is important to eliminate leaks. Welds should be carefully checked for pin-holes, and jointing compounds should be used on all threaded joints.
- Before allowing water into the ram, the impulse valve disc must be carefully adjusted so that it is in the centre of the valve hole. If it is not properly aligned then the rubber sealing disc may fail fairly rapidly (Figure 3).
- As with all machines subject to vibration, all nuts and bolts must be properly tightened. The rubber disc in the impulse valve will not be damaged by tightening provided

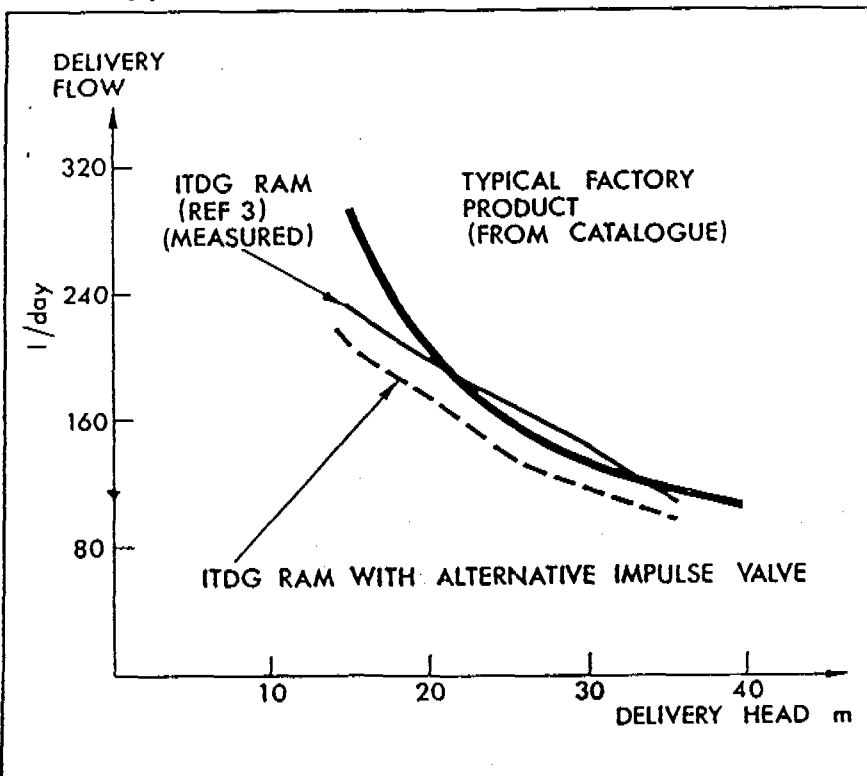


Figure 2. A comparison of a ITDG and a commercial hydraulic ram delivery performance (supply flow rate $Q = 1\text{l/min}$).

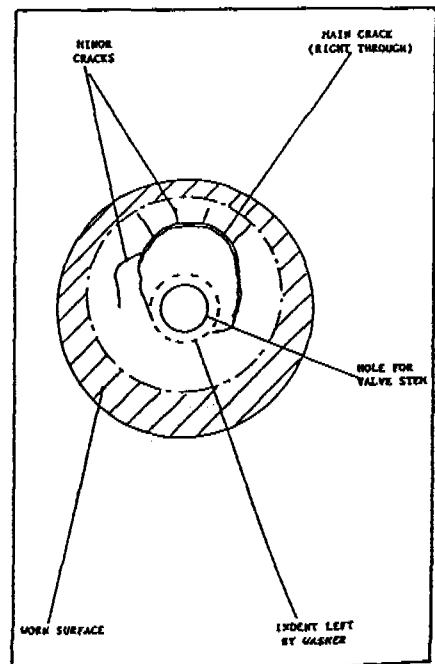


Figure 3. Typical failure of rubber sealing disc due to misalignment.

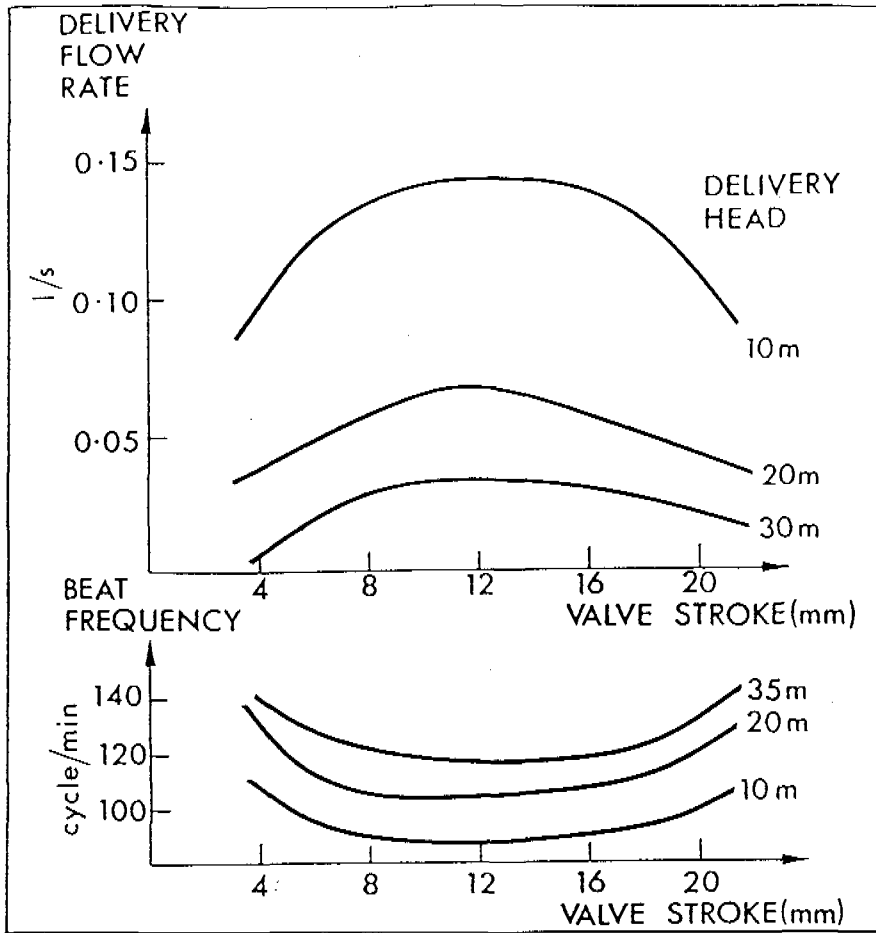


Figure 4. Performance related to vibration characteristics for the ITDG ram at constant valve loading.

- The valve disc is made from approximately 3mm thick steel and is screwed on to the lower end of the valve stem, with a locking nut to secure it.
- Above the valve disc is a short length of bush between the studding and the valve body. This is a plastic tube cut from the barrel of a ball-point pen.
- Further up the stem is a spring (an auto engine valve spring, for example) which provides the downward force necessary to open the valve during operation.
- The upper end of the spring bears against a sheet steel yoke, which is secured to the valve body. On the valve tested, the yoke was fixed using a 'Jubilee' worm-drive hose-clip, but nuts and bolts would provide a more permanent arrangement.
- Initially, a rubber sealing disc was used on top of the steel valve disc but this was removed because it is difficult to fix the rubber and steel together reliably. After a few days 'running-in' the steel valve disc had beaten the rough-cast finish of the enough to form a good seal without the rubber.

This alternative design worked

that a large-diameter washer is used on top of the disc.

- Wherever possible the ram should be installed with a straight drive-pipe. Bends in the drive-pipe reduce efficiency and create strong forces on the pipe and ram which may lead to damage. The ram itself can be mounted at a small angle to avoid bending the drive-pipe. If the pipe must be bent, this should be through as small an angle as possible, with the pipe firmly anchored at these points.

Alternative impulse valve design

The manufacture of the ITDG impulse valve requires welding equipment. An alternative design has been tested, which requires only cutting, drilling and bending facilities. This pumps about 10 to 15 per cent less water than the original ITDG valve (Figure 2), and consists of the following components (Figure 1 and photo):

- The valve body is a two-inch BSP (or similar) pipe end-cap which has a central hole drilled for the valve stem, and other holes to form the water passages.
- The valve stem is a 150mm length of 6mm studding (or similar).

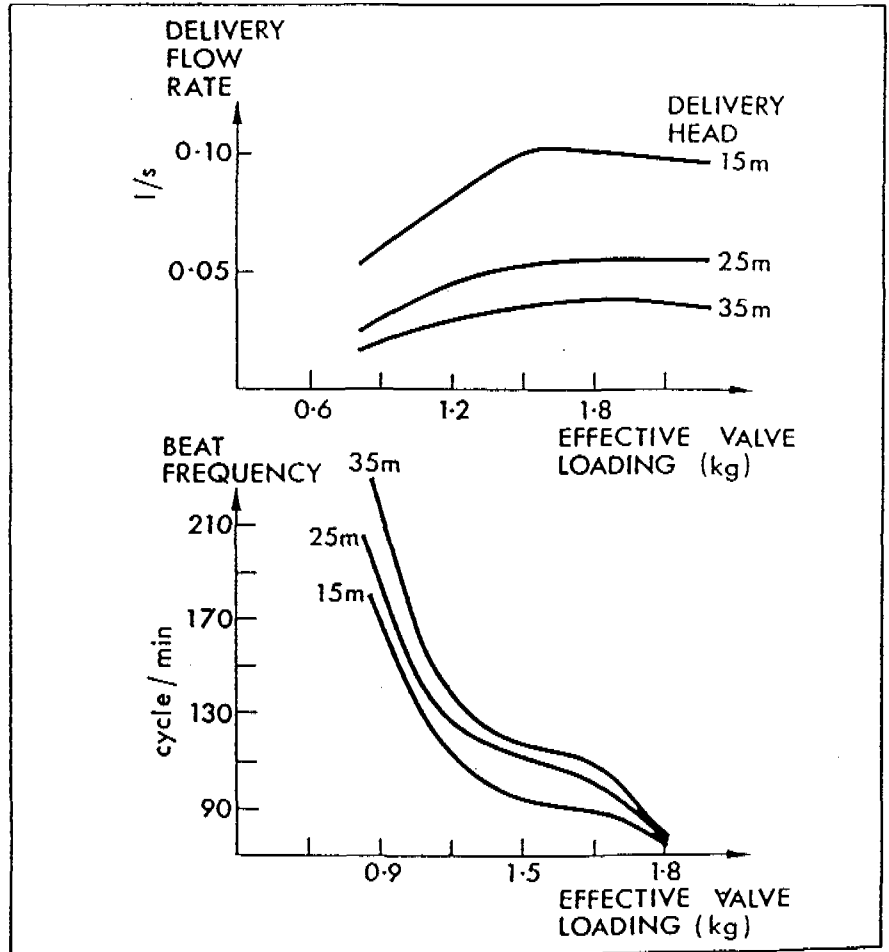


Figure 5. Performance related to vibration characteristics for the ITDG ram at constant (optimum) valve stroke.

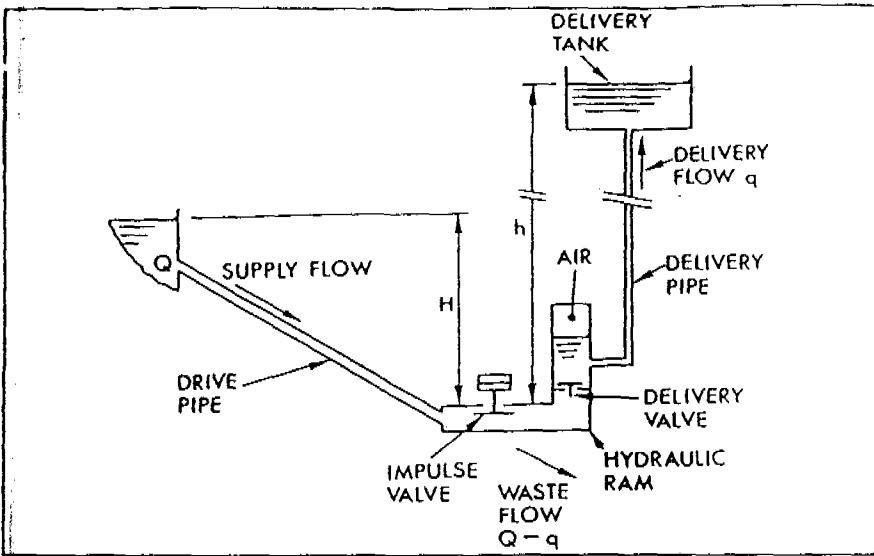


Figure 6. Definition sketch of hydraulic ram efficiency.

reliably and was easy to tune. Experience with other alternatives, using weights instead of a spring for the downward force, as suggested in the manual,³ was less satisfactory as these are prone to jamming. Any machine which relies on a self-excited vibration for its operation requires tuning (just like a musical instrument). Tuning the ram means varying the impulse valve stroke and loading to give the best performance. Even slight mistuning can lead to a significantly inferior performance.

Systematized impulse valve loading method

The method described,³ can be systematized by holding fixed the impulse valve loading (spring tension bolt) while optimizing the stroke (stroke adjustment bolt), then subsequently holding the stroke fixed while optimizing the loading, as follows:

- With some fixed loading, delivery and waste-flow rates are measured. The valve stroke is then altered and

the measurements repeated until enough readings have been taken to establish a pattern, which in turn allows the optimum stroke to be identified.

- This procedure is then repeated, but by varying the valve loading instead of the stroke. Again, a pattern is established and the best loading is found as with the stroke. In order to be able to return the ram to its best loading position, it must be measured each time, using a spring balance, which requires that the ram be stopped and drained.

To eliminate completely all calculations, and especially the time-consuming (and often awkward) requirements for flow and loading measurement, a new method of tuning has been devised which relies on simply listening to the speed at which the ram is beating. Figures 4 and 5 show how the delivery flow rate is related to the variation in beat frequency with impulse valve stroke and loading. It suggests an extremely simple procedure:

- Fix the impulse valve loading (spring tension bolt) and vary the valve stroke (stroke adjustment bolt) until the beat frequency is at a minimum.
- With this stroke fixed, vary the impulse valve loading until the beat frequency remains constant for a few close loadings, before changing again.

If the person tuning the ram has a sufficiently good sense of rhythm, then even a stop-watch is unnecessary.

Assessment

The ITDG manual³ describes a hydraulic ram which:

- performs well in comparison with more expensive commercially available factory products;

- is simple to build;
- is adaptable to local conditions or facilities;
- is much simpler to tune (using the new procedure outlined above) than the manual suggests.

It is hoped that these conclusions will encourage more potential users to adopt it.

Acknowledgements

Much advice and assistance was freely given during this study by, among others, Dr John. Burton, University of Reading; Patrick. Mulvany, ITDG; John Blake Ltd. and the Technical Staff of the Department of Mechanical Engineering, University of Newcastle upon Tyne.

References

1. Krol, J., 'The automatic hydraulic ram', *Proceedings, Inst of Mechanical Engineers* Vol. 164, 1951.
2. Intermediate Technology Development Group, *Hydraulic Ram Pumps*, Technical Brief 23, ITDG, London, 1985.
3. Watt, S.B., *A manual on the hydraulic ram for pumping water*, IT Publications, London, 1975.


Definitions of hydraulic ram efficiency

When comparing quoted efficiencies for different hydraulic rams it is necessary to establish clearly which definitions are being used. Using an available flow Q at a supply head H the hydraulic ram lifts a small portion q of that flow to a higher delivery head h (Figure 6). The true efficiency is:

$$\text{Output power/input power} = \frac{q(H-h)}{(QH)} < 1$$

It is, however, more common to see alternative practical definitions of efficiency used, for example:

$$qh/(Q \cdot q)H \text{ or } qh/(QH)$$



INTERNATIONAL VOLUNTARY SERVICE
 Vacancies in:
Lesotho and Mozambique
WATER ENGINEERS

Two years post-qualification experience essential. Two year contract, modest salary, flights and insurance. Applicants must have permanent right of residence in Britain or Ireland. Regret no dependants.

Details from: Rose Gorrage, IVS, 53 Regent Road, Leicester LE1 6YL
 Telephone: (0533) 541862
 Please quote reference WL1/87

Hydraulische Widderanlagen

Vorbemerkung.

Bezugnehmend auf die Anmerkung über hydraulische Widderanlagen in dieser Zeitschrift von August 1949, Seite 161, erlaube ich mir einige kritische Ergänzungen zu machen:

Die auf Seite 160 angeführte Darstellung über die Installation einer solchen Anlage ist wohl nach der Theorie verschiedener Fachbücher richtig (z. B. Auerbach und Hort: «Handbuch der physikalischen und technischen Mechanik», Bd. V, Ambrosius-Verlag) und wird auch in der Praxis sehr oft so ausgeführt. Es ist aber festzustellen, daß man vielerorts Widderanlagen sehr skeptisch gegenübersteht, weil ihr Funktionieren als sehr zufällig angesehen wird, ja es gibt sogar Anlagen, die überhaupt nicht funktionieren. Diese Unzuverlässigkeiten in der Erstellung solcher Anlagen rühren von der Nichtübereinstimmung von Theorie und Praxis her. Die anhand langjähriger Erfahrung ausgearbeiteten Anlagen funktionieren allgemein ganz gut, so daß sie immer wieder zur Ausführung kamen. Ich möchte hier nur an die Ausführungen des Widderfabrikanten Schlumpf erinnern.

Ich hatte nun, gestützt auf die nachfolgend beschriebene Anlage Gelegenheit, den hydraulischen Vorgang zu studieren und zu berechnen, so daß für das Funktionieren die volle Garantie abgegeben werden kann. Meiner eingehenden Berechnung konnte ich die Arbeit von L. Bergeron, «Béliers hydrauliques», zu Grunde legen, woraus dann der Beweis erfolgt, daß die allgemein übliche Theorie nicht zutreffend ist, wie dies die Praxis schon längst bewies.

Widderanlagen können nicht nur bis zu Steighöhen von 100 m erbaut werden; gestützt auf die Erstellung einer Anlage von 164 m und einer solchen von 180 m erbrachte ich den Beweis, daß die Steighöhe unbegrenzt ist. Auch die Pumpwassermenge kann gegenüber heutigen Anlagen bedeutend erhöht werden, so daß auch Widder für Bewässerungszwecke erstellt werden können.

Nachfolgend beschriebene Anlage pumpt 30 l/min auf 164 m Höhe, dies entspricht einer Leistung von 1,1 PS. Benötigt man pro PS 0,45 l Benzin pro Stunde, so kostet der Dauerbetrieb, bei einem Benzinpreis von Fr. —.60 pro Monat etwa Fr. 216.—, dazu kommt bei einer Pumpanlage aus Motor und Pumpe noch die Wartung, die geschultes Personal erfordert sowie der Zutransport von Benzin.

Demgegenüber ist beim hydraulischen Widder die Wartung sehr gering und kann von ungeschulten Leuten besorgt werden. Betriebsstoff ist nicht notwendig. Die Erstellungskosten dürften bei Widderanlagen eher niedriger sein. Dies zeigt, daß diese Anlage preislich konkurrenzlos ist und überall in Frage kommen kann, wo genügend Wasser vorhanden ist und wo von der Wasserzapfstelle ein Gefälle erreichbar ist.

Einleitung

Der hydraulische Widder wird als selbsttätige Wasserpumpe für kleine Wasserversorgungsanlagen mit Hubhöhen bis etwa 100 m seit langem mit Vorteil an-

gewandt. Der Betrieb ist billig, denn es sind keine rotierenden Teile vorhanden, die eine Schmierung verlangen, dann ist auch kein Kraftstoff oder Strom notwendig. Die Erstellung der Anlage sowie der spätere Unterhalt erfordern keine teuren Spezialarbeiter. Auch der Anschaffungspreis der Maschine ist gering und der Betrieb wirtschaftlich, so daß die Amortisation sich günstig gestaltet.

An Hand von Erfahrungen wagte ich die Projektierung und Erstellung einer Anlage mit einer Steighöhe von 164 m, die einwandfrei arbeitet. Das Studium der Anlage ergibt, daß prinzipiell die Steighöhe beliebig gesteigert werden kann. Die Grenze wird durch die zulässige Materialbeanspruchung gegeben.

Aus Beobachtungen, die ich beim Inbetriebsetzen sowie während des Betriebes machen konnte, erkläre ich nachfolgend die Wirkungsweise des Widders und zeige, welche Maßnahmen getroffen werden müssen, um ein einwandfreies Funktionieren zu garantieren.

a) Das Funktionieren des hydraulischen Widders

Anhand des von Fabrikant Joh. Schlumpf, Steinhäusern (Kanton Zug), hergestellten Widders sei das Funktionieren einer solchen Maschine beschrieben (vgl. Schnittzeichnung Bild 1).

Ist die ganze Wassersäule der Triebleitung in Bewegung, so wird das Schlagventil (2) zugeschlagen. Die Wassersäule der Triebleitung (5) wird plötzlich angehalten, wodurch ein Druckstoß entsteht. Dieser steigt sprunghaft an, bis er das durch den Druck in der Steigleitung (6) niedergepreßte Kesselventil (7) zu öffnen vermag. Es fließt nun solange Wasser durch das Kesselventil in den Luftkessel, bis die kinetische Energie der Wassersäule der Triebleitung aufgebraucht ist. Infolge des Druckstoßes wird die Wassersäule der Triebleitung elastisch zusammengedrückt, wodurch eine Schwingung entsteht, die sich über den Windkessel auch auf die Steigleitung überträgt. Ist nun die kinetische Energie der Wassersäule der Triebleitung in dem Maße ausgebraucht, daß der Druck unter denjenigen der Steigleitung fällt, so wird das Kesselventil geschlossen. Da der Druck im Windkessel infolge der Steigleitung 16,4 at ist, der Druck der Triebleitung aber nur 2,7 at, so haben wir nach Abschluß des Kesselventils eine Schwingung der Wassersäule der Triebleitung, die isoliert ist. Die kinetische Energie dieser schwingenden Wassersäule muß nun so groß sein, daß bei der negativen Amplitude Vakuum entstehen würde. Dieser Vorgang bewirkt das Wiedereröffnen des Schlagventils, so daß das Spiel von neuem beginnen kann.

Das Reguliergewicht am Schlagventil (3) ermöglicht, den Wirkungsgrad der Anlage möglichst günstig zu gestalten.

Die nachfolgende Beschreibung der erstellten Anlage bestätigt diesen Arbeitsverlauf vollkommen.

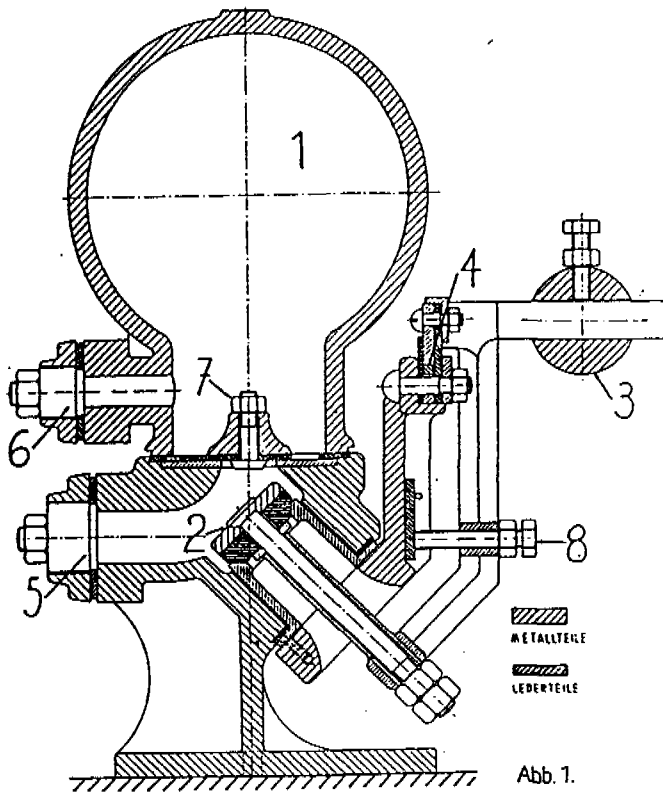


Abb. 1.

1 Luftkessel; 2 Schlagventil; 3 Reguliergewicht am Schlagventil; 4 bewegliches Lager des Schlagventils; 5 Anschluß für die Tribleitung; 6 Anschluß für die Steigleitung; 7 Kesselventil; 8 Regulierstift für die Einstellung des Schlagventils. Bild 1 Querschnitt des hydraulischen Widders, Maßstab 1:10.

b) Beschreibung der Anlage

Situation. Von der Quelfassung wird das Wasser durch die 102 m lange Tribleitung in den Widder geführt, der 27 m tiefer liegt als der Quellaustritt. Der Widder treibt einen Teil des Wassers durch die 400 m lange Steigleitung in das 164 m höher gelegene Reservoir. (Vgl. Bild 3.)

Quelfassung. Um die ganze Quelle zu fassen, mußten etwa 5 m³ Fels ausgebrochen werden. Die freigelegte Quelle ist mit einer Kiesschüttung angefüllt und dann gegen das Eindringen von Oberflächenwasser mit einer etwa 15 cm dicken Betonplatte abgedeckt. Das Wasser fließt durch einen Schlitz in das 800 Liter fassende Reservoir. Mit Hilfe von Trockenmauerwerk ist die Fassung dem Geländehang angepaßt, damit Steinschlag und Lawinen den Bau nicht beschädigen können. Um Frostschäden zu vermeiden, besteht der Abschluß des Reservoirs aus einer Eisentüre und einer Perfekta-Isolationstüre. Ist die Anlage außer Betrieb, so strömt das Wasser durch den Leerlauf ab (Bild 4).

Tribleitung. Das Reservoir der Quelfassung gibt Wasser an die Tribleitung ab. Um zu verhindern, daß Luft eingesogen wird, ist die Eintrittsstelle der Tribleitung 50 cm unter dem Wasserspiegel des Reservoirs angebracht. Diese Leitung besteht aus Schraubenmuffenrohren von 8 cm Durchmesser mit Gummidichtung (Modell der von Rollschen Eisenwerke). Die Dichtung ist von großer Wichtigkeit, denn bei den entstehenden Unterdrücken, die bei der negativen Amplitude der Schwingung der Wassersäule entstehen, muß unter allen Umständen der Eintritt von Luft verhindert wer-

den. Bei der Führung der Tribleitung ist nicht nur die Druckhöhe von Wichtigkeit, sondern auch die Länge sowie das Gefälle. Als Faustregel kann gelten, daß im Längenprofil die Horizontale mindestens viermal so lang wie die Vertikale sein muß. Dann soll die Leitung bei der Quelfassung, respektive beim Reservoir der Quelfassung das größte Gefälle haben, gegen den Widder hin darf sie bis zur Horizontalen auslaufen. Gegengefälle muß vermieden werden. Hat die Leitung im oberen Teil weniger Gefälle, oder sogar ein horizontales Stück, so treten Kavitationserscheinungen auf. Müssen Bogen angeordnet werden, so sind flache zu wählen, der Winkel soll 30° nicht überschreiten. Werden größere Winkel gewählt, so treten Reflexerscheinungen auf, die die Schwingung der Wassersäule stören und das Arbeiten des Widders in Frage stellen.

Da die Leitung die ständigen Druckstöße aushalten muß, wurde jedes Rohr durch Betonsockel festgehalten. Die vier in die Leitung eingebauten Bogen von 30° wurden besonders gut einbetoniert, um ein Verwerfen zu verhindern (vgl. Bild 3).

Widdereinbau. Der Widder ist in einem kleinen Raum gestellt, der in Fels gesprengt und ausbetoniert wurde (Bild 5).

Steigleitung. Die Anlage der Steigleitung ist von weniger großer Wichtigkeit für das Arbeiten des Widders. Gewählt wurde eine 1½"-Wasserrohrleitung. Zu erwähnen ist, daß der Auslauf dieser Leitung eine gewisse Minimalhöhe erreichen muß, denn der Druck, der durch die Wassersäule der Steigleitung im Luftkessel des Widders entsteht, ist maßgebend für die in der Tribleitung entstehenden Schwingungen.

In der Steigleitung gibt es nur schwache Druckstöße; diese werden durch die Luft des Windkessels gedämpft.

Reservoir. Das Reservoir liegt 164 m höher als der Widder und 137 m höher als der Quellaustritt. Der Inhalt beträgt 5 m³. Der Überlauf wird in einen etwa 30 m weit entfernten Brunnen geleitet. Wird mehr Wasser benötigt, so kann die ganze Wasserreserve durch das Öffnen des Hahns in den Brunnen geleitet werden.

c) Leistung der Anlage

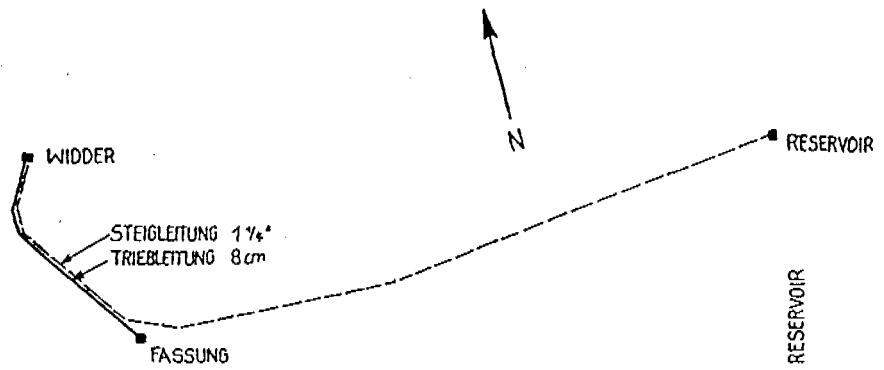
Der Widder verarbeitet eine Wassermenge von 250 Liter pro Minute. Die geförderte Wassermenge ist noch 28,4 Liter pro Minute. Aus diesen gemessenen Wassermengen kann der theoretische Wirkungsgrad der Anlage zu 0,69 angegeben werden (69%). Aber effektiv können nur 11,4% des Wassers hinaufbefördert werden. Dies zeigt, daß eine Widderanlage nur da erstellt werden kann, wo viel Wasser vorhanden ist.

d) Inbetriebsetzen der Anlage

Läßt man das Wasser vom Reservoir der Quelfassung in die Tribleitung fließen, so wird das Schlagventil zugepreßt. Ausdrücklich möchte ich hier erwähnen, daß sich dieses Schlagventil nicht gegen den Druck der Wassersäule der Tribleitung öffnet. Um dieses Ventil zu öffnen, müßte das Gewicht 3 des Schlagventils (vgl. Bild 1) ganz nach außen gezogen werden und ein Gewicht von etwa 300 kg haben. Mit Hilfe eines Hebeisens wird nun das Schlagventil geöffnet, dann läßt man es durch das Wasser zuschlagen,

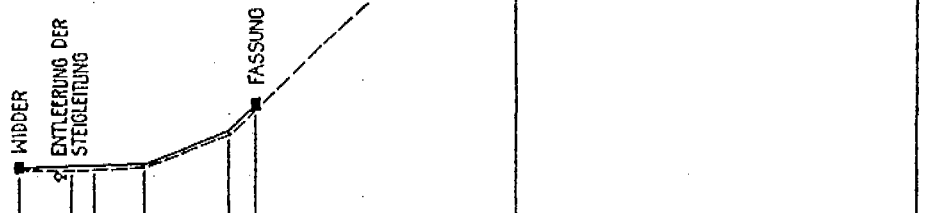
SITUATION

Abb. 2.



L'ANGENPROFIL

Abb. 3.



TRIEBLEITUNG ø 80 mm	L'ANGEN m	0	50	82	92		
	HOHEN m	0	2	15	27		
	BOGEN 30°						
	STEGUNG %		4	40.5	120		
STEIGLEITUNG ø 1 1/4"	L'ANGEN m	0		92		195	351
	HOHEN m	0		27		109	164

wodurch das Wasser in die Steigleitung gepreßt wird. Dies muß einigemal wiederholt werden, bis der Widder selber schlägt.

Die Schlagzeit beträgt 1,2 Sekunden.

Folgerung

Nachfolgend zitiere ich aus dem «Handbuch der physikalischen und technischen Mechanik» (Seite 919) die Wirkungsweise des Widders:

«Das Stoßventil (Schlagventil) ist durch Gewichte oder Federn derart belastet, daß es öffnet, wenn das System in Ruhe ist. Das Wasser in der Triebleitung kommt dadurch in Bewegung und fließt zum Stoßventil aus. Wenn die Geschwindigkeit wächst, erreicht der Strömungsdruck auf das Stoßventil schließlich einen Wert, der dies zum Schließen bringt.»

Dies ist für den hier behandelten Widder unzutreffend. Bei der Inbetriebnahme sah man, daß sich das Schlagventil nicht gegen den Ruhedruck der Wassersäule der Triebleitung öffnet. Stellt man den Widder während dem Betriebe ab, so muß das Schlagventil wieder geöffnet werden, selbst öffnet es sich nicht. Dann ist zu erwähnen, daß die Triebleitung eine bestimmte Minimallänge haben muß, sonst geht der Widder nicht. Würde der Widder wie oben beschrieben wirken, so wäre die Länge der Triebleitung ohne Einfluß.

Wird eine Rohrverbindung nicht vollständig dicht hergestellt, so beobachtet man beim Schlagen des

Schlagventiles ein Auspressen von Wasser, aber unmittelbar nachher hört man das Hineinziehen der Luft. Die Schläge des Widders werden unregelmäßig und schwach, um bald ganz aufzuhören.

Auch die kurze Schlagzeit von 1,2 Sekunden ist für das Funktionieren bemerkenswert.

Diese Beobachtungen bestätigen den in Abschnitt a) beschriebenen Arbeitsvorgang des hydraulischen Widders.

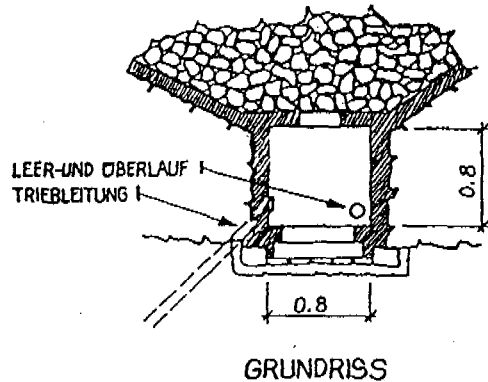
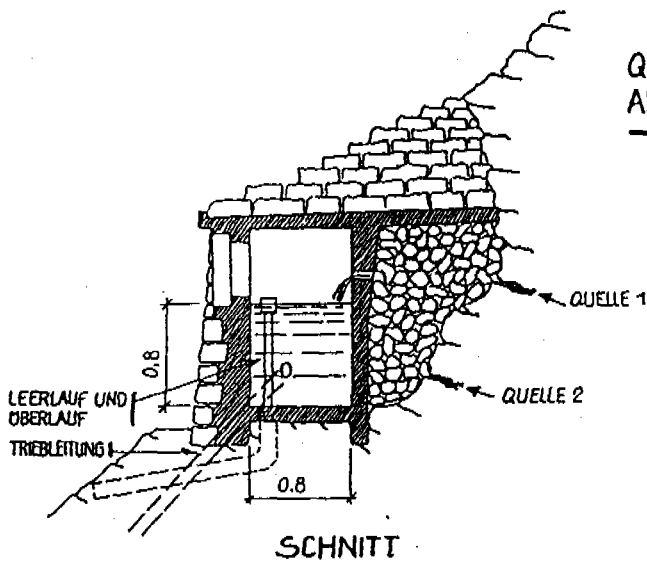
Mit diesen Darlegungen möchte ich nicht behaupten, daß diese von mir beschriebene Wirkungsweise die andere Wirkungsweise, wie sie im vorgenannten Handbuch gezeigt ist, ausschließt. Anlagen mit kleinen Steighöhen werden ebensogut nach diesem Prinzip arbeiten. (Die graphische Darstellung in demselben zeigt [Seite 920, Figur 452], bis zu welchen Abmessungen ein Arbeiten nach diesem Prinzip wirtschaftlich und überhaupt möglich ist.)

Kosten der Widderanlage

Die Anlage wurde auf etwa 2500 m über Meer auf einer größeren Alpenweide erstellt. Die Bauarbeiten waren wegen Witterungsverhältnissen mit Schwierigkeiten verbunden. Als Bauzeit kamen nur die Monate Juli, August und September in Frage. Bei schlechtem Wetter mußte die Arbeit eingestellt werden, da der Standort der Fassung und der Widdereinbau in steinschlaggefährdetem Gebiete liegen. Die erforderlichen

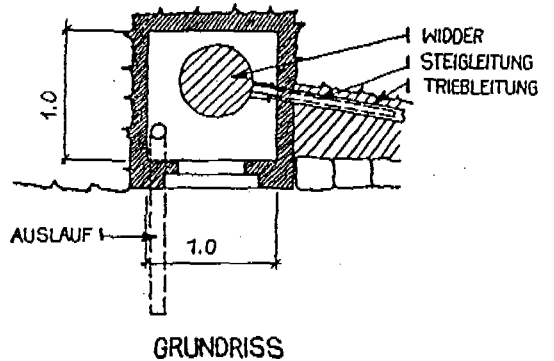
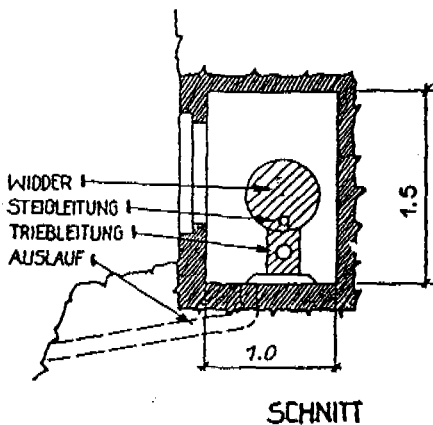
QUELFFASSUNG

Abb. 4.



WIDDEREINBAU.

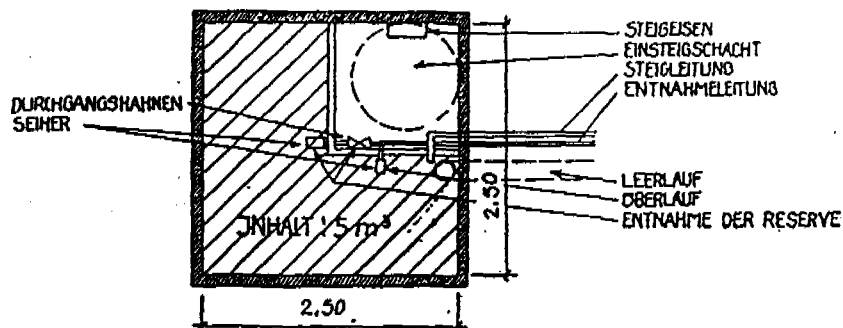
Abb. 5.



RESERVOIR

Abb. 6.

GRUNDRISS



Materialien mußten mit Maultieren gesäumt werden. 100 kg von der nächsten Bahnstation auf die Baustelle geliefert kosteten damals Fr. 18.—.

Kostenzusammenstellung:

Bauplatzinstallation (Unterkunft)	Fr. 2500.—
Arbeitsaufwand	Fr. 7500.—
Material (Sprengmaterial, Zement, Schalholz)	Fr. 1500.—
Widder	Fr. 1100.—
Rohre, Fittings, Hahnen, Schachtdeckel usw.	Fr. 5500.—
Transportkosten	Fr. 4500.—
Projektierung und Bauführung	Fr. 3000.—
Total	Fr. 25 600.—

Diese Anlage ermöglicht, daß etwa 150 Kühe einen Monat länger sömmeren können. Bis jetzt war nur Schnee-Schmelzwasser oder Regenwasser vorhanden, das sich in kleinen Weihern ansammelte. Bei andauerndem Sonnenschein ist dieses Wasser aber bald ausgetrocknet, dann muß das Vieh wieder auf tiefer liegende Weiden verbracht werden. Diese Wasserversorgung hebt den Wert dieser Alpenweide auf ungefähr das Doppelte.

Der Unterhalt der Anlage ist so einfach, daß diese von den Sennen besorgt werden kann. Aus der Referenzliste des Widderfabrikanten ist ersichtlich, daß solche Anlagen, allerdings in bedeutend kleinerer Ausführung, seit mehr als 40 Jahren tadellos funktionieren.

Der hydraulische Widder

Eine selbsttätige Pumpe ohne Motor

Hans MÖNNINGHOFF*)

Schlagwörter: Wasserverteilung, Pumpe, hydraulischer Widder, Konstruktion

Der hydraulische Widder ist eine einfache Konstruktion, mit der ein Teil aufgestauten Wassers ohne jede Fremdenergie in große Höhen gepumpt werden kann. Dargestellt werden die praktischen Anwendungsmöglichkeiten dieser Anlage, ihre Wirkungsweise, Kosten und konstruktive Ausbildung.

The hydraulic ram is a simple construction able to pump a part of impounded water on high level without additional energy input. Possibilities of application, operation, costs and details of construction are described.

1. Allgemeines

Der hydraulische Widder ist eine einfache Konstruktion, mit deren Hilfe Wasser in große Höhen gepumpt werden kann, ohne daß von außen Energie zugeführt werden muß. – Ein *perpetuum mobile* – werden Laien sagen. In Wirklichkeit jedoch wird die im bewegten Wasser befindliche Fließenergie durch Erzeugung von Druckstößen benutzt, um einen Teil des Wassers über seine Ausgangshöhe hinaus zu befördern. Der Name „Hydraulischer Widder“ stammt von den Erfindern dieser Anlage, den Gebrütern *Montgolfier*. Sie erläuterten 1797 in ihrer französischen Patentbeschreibung, daß beim plötzlichen Schließen eines Ventils eine Kraft wie vom „Stoß eines Widders“ entsteht. Andere Bezeichnungen sind Stoßheber, Druckstoß-Pumpe, Wasserstößer, im Englischen hydraulic ram oder rife ram.

Im folgenden soll auf eine ausführliche Darstellung der geschichtlichen Zusammenhänge und der mechanischen und mathematischen Grundlagen verzichtet werden, da diese an anderen Stellen veröffentlicht sind [1; 2] (mit ca. 50 Literaturhinweisen).

2. Anwendungsmöglichkeiten

Der Widder kann überall dort verwendet werden, wo ein Energiegefälle besteht (sprich Stauhöhe) und nur ein Teil des vorhandenen Wassers in einer höheren Ortslage benötigt wird. Das kann z. B. bei Quellfassungen im Bergland sein, bei der ein einzelnes abseits gelegenes Gebäude versorgt wird. In anderen Fällen genügen 1–2 m Aufstauhöhe eines Flusses, um größere Wassermengen z. B. für Bewässerungszwecke zu fördern. Gerade im Zuge der wachsenden Energiediskussion sind eine Reihe von Anwendungsmöglichkeiten denkbar, in denen bisher automatisch eine mit einem Elektromotor betriebene

Pumpe eingesetzt wurde. Beispielsweise kann auch eine Druckwindkessel-Anlage mit einem Widder betrieben werden, und bei größeren Fördermengen können beliebig viele derartige Anlagen parallel installiert werden.

Am Rande seien noch Versuche erwähnt, den Widder in eine Saugkonstruktion umzuwandeln, um z. B. durch Flußdeiche abgeschnittene Gebiete in den höher gelegenen Fluß zu entwässern [3].

Es wurden Widderanlagen ausgeführt, die 1–70 m Triebwasserhöhe und Förderhöhen bis 300 m haben. Vereinzelt arbeiten Anlagen, die vor 80 Jahren installiert wurden und in der ganzen Zeit außer dem Ersatz von Dichtungen keine wesentlichen Störungen hatten [4]. In Entwicklungsländern sind eine sehr große Anzahl von Widdern in Betrieb. Auch in der Schweiz arbeiten einige Maschinen; eine davon auf einem Bergbauernhof im Tessin zeigt *Bild 1*. Das Wasser entstammt einer gefaßten Quelle oberhalb des Widders und wird zu ca. 50 m höher liegen-

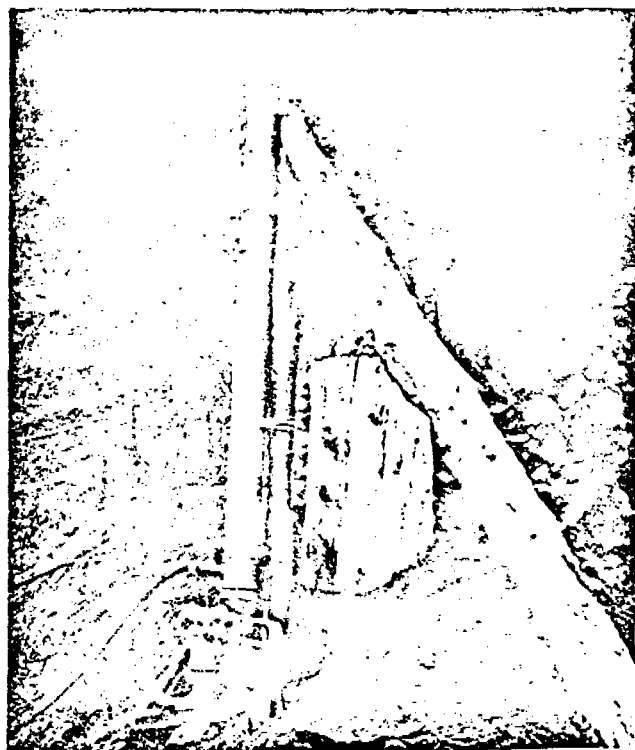


Bild 1. Ein selbstgebauter hydraulischer Widder im Betrieb in der Schweiz.

*) Hans Mönninghoff, Haasemannstraße 11, 3000 Hannover 91.

den Häusern gepumpt. Dem Verf. sind insgesamt 6 Hersteller bekannt, davon 3 in der Bundesrepublik Deutschland. Hier waren vor dem 2. Weltkrieg viele Widder-Anlagen in Betrieb, heute ist es jedoch sehr still um diese Konstruktionen geworden.

Daß der hydraulische Widder eine Vielzahl von hervorragenden Eigenschaften hat, ist von keiner Seite bestritten: eine einfache Konstruktion, keinerlei Betriebskosten für die Energie, geringer Unterhaltungsaufwand (keine Schmierstellen) und fast kein Verschleiß (nur 2 bewegliche Teile). Warum er trotzdem so wenig bei uns verbreitet ist, ist unklar und z.T. auf recht irrationale Gründe zurückzuführen: Vielen Ingenieuren ist der Einsatz von Elektromotoren als der typischen Maschine der „modernen“ Zeit so selbstverständlich, daß sie sich nicht um Alternativen bemühen.

3. Wirkungsweise

In Bild 2 ist die gesamte Anordnung einer Widder-Anlage schematisch dargestellt. Die Zahlenangaben beziehen sich auf eine ca. 1948 in der Schweiz erbaute Anlage [4: 5]. Von einer Quellsfassung fließt Wasser in einer Druckleitung zu dem 27 m tiefer installierten Widder und wird von dort 164 m hoch gepumpt.

Bild 3 zeigt einen Schnitt durch den Widder. Zur Verdeutlichung der Wirkungsweise stelle man sich einen bestimmten Zeitpunkt während des Widder-Betriebes vor. Das Gewicht G (bei anderen Anlagen ist es eine Feder) hat das Schlagventil nach links gedrückt, und Wasser beginnt ins Freie zu strömen. Das Kesselventil befindet sich unten, da es durch die Wassersäule in Höhe von 164 m WS belastet ist. Durch die zunehmende Geschwindigkeit des Triebwassers wird ein Zeitpunkt erreicht, der vorher durch die Einstellung des Gegengewichts reguliert wurde, in dem das Schlagventil ruckartig nach rechts geht und die Triebwassersäule stoppt. Hierbei baut sich ein Druckstoß auf, der weit höher ist als die 164 m WS in der Steigleitung. Dadurch öffnet sich das Kesselventil, der Druck baut sich in den Windkessel hinein ab und

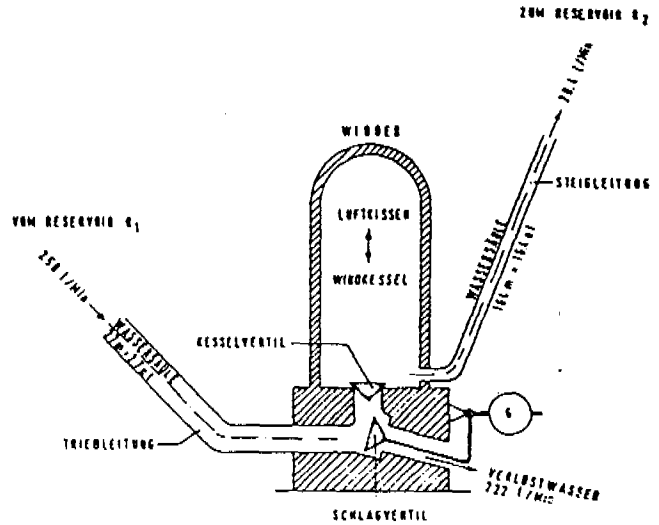


Bild 3. Querschnitt durch einen hydraulischen Widder.

Wasser fließt in der Steigleitung hinauf. Nach dem völligen Abbau der Druckwelle in beiden Rohrleitungen entsteht am Schlagventil ein Unterdruck, und es öffnet sich. Das Kesselventil schließt, und der ganze Vorgang wiederholt sich 50–100mal in der Minute. Das zusammengedrückte Luftkissen im Windkessel bewirkt eine Dämpfung der Druckschwankungen in der Steigleitung und dadurch einen gleichmäßigen Ausfluß an der Abnahmestelle.

4. Konstruktive Einzelheiten des Widders

Auch heute weicht die gesamte Widderkonstruktion kaum von der vor 200 Jahren entwickelten ab. Zur Verbesserung des Wirkungsgrades sind gegenüber der in Bild 3 dargestellten Grundkonstruktion einige Details verbessert worden. Am Windkessel ist bei einigen Herstellern zur Selbstregulierung des Luftpolsters ein Schnüffelventil angebracht, und die Rohre haben eine strömungstechnisch günstigere Form. Bild 4 zeigt die Ausführung eines Herstellers, der zur optimalen Ausnutzung des Triebwassers die Ausflußöffnung nach unten gekrümmt hat [6].

In Großbritannien hat eine Arbeitsgruppe für angepaßte Technologie eine Widderanlage entwickelt, die aus-

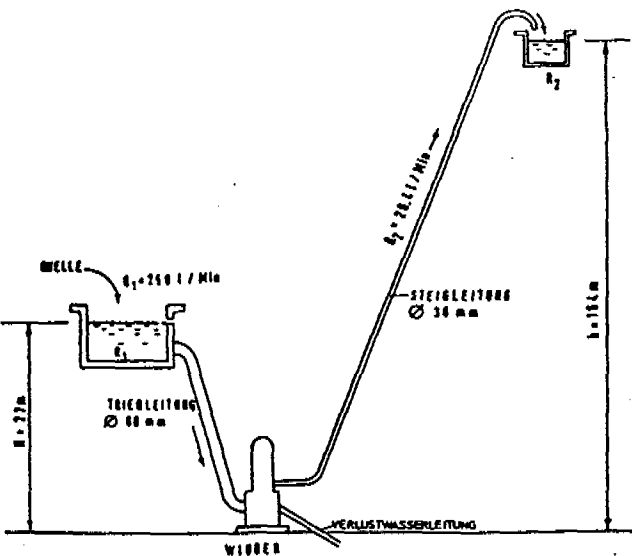


Bild 2. Schematische Anordnung einer Widder-Anlage.

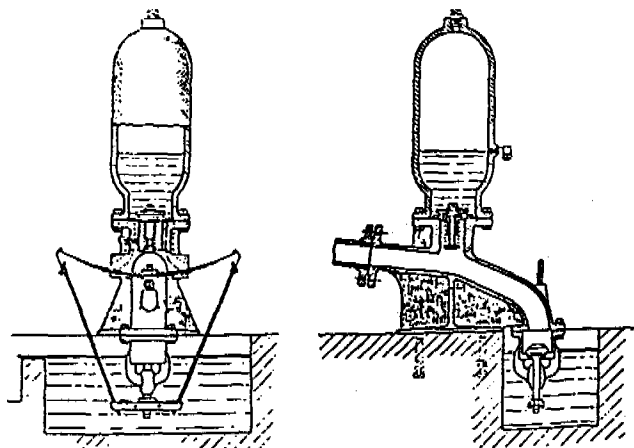


Bild 4. Heute industriell hergestellter Widder.

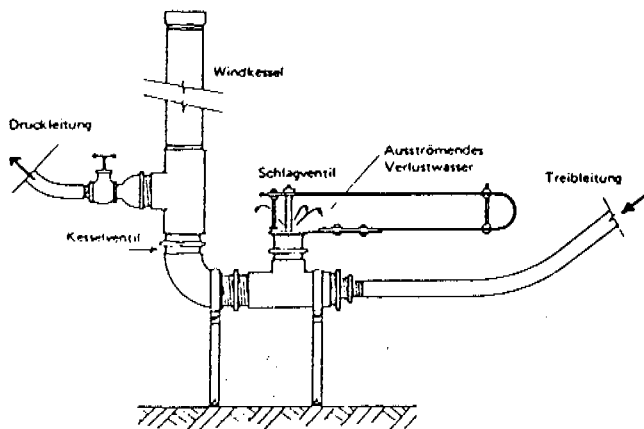


Bild 5. Eine in Großbritannien entwickelte Selbstbauanlage.

schließlich aus Normteilen eines Klempner-Betriebes besteht (Bild 5) [7]. Der Windkessel ist dabei ein ca. 1,50 m langes zugeschweißtes Rohr, und das Schlagventil wird durch einen Federbügel reguliert. Die in Bild 1 dargestellte Anlage ist von Laien nach diesen Plänen gebaut und arbeitet zur vollsten Zufriedenheit. Eine deutsche Übersetzung der Bauanleitung ist beim Verf. erhältlich. Die Anlage hat zwar einen geringeren Wirkungsgrad als industrielle Konstruktionen, so daß mehr Triebwasser benötigt wird, sie zeichnet sich dafür jedoch durch einen besonders niedrigen Preis aus.

5. Nebenanlagen

Für eine einwandfreie Tätigkeit des Widders ist es erforderlich, einige Punkte bei den Nebenanlagen unbedingt zu beachten. Am Beginn der Triebleitung ist ein Reservoir anzuordnen, das gewährleistet, daß die Triebleitung immer völlig gefüllt ist, und verhindert, daß größere Fremdkörper in den Widder gelangen. Die Triebleitung selbst muß eine Mindestlänge von 4mal der Triebwasserhöhe haben und aus Stahlrohren bestehen. Sie soll möglichst gradlinig verlaufen und darf auf keinen Fall Hochpunkte haben, an denen sich Luftsäcke bilden können. Eine andere Bedingung ist, daß das Verhältnis von Rohrdurchmesser zur Rohrlänge 1:150 bis 1:1000, am besten 1:500, betragen soll. Triebleitung und Steigleitung müssen für die hohen Druckstöße und den auftretenden Unterdruck bemessen sein. Die Steigleitung kann aus Kunststoffrohren ausgeführt werden. Falls hier durch die Geländeform im Ausnahmefall Kuppen überwunden werden, muß am Hochpunkt ein Entlüftungsventil angeordnet werden.

6. Leistungsfähigkeit

Maßgebend für den Wirkungsgrad η einer Widderanlage ist neben einer günstigen Ausführung der Konstruktion das Verhältnis der Triebwasserhöhe h zur Pumphöhe H (einschließlich Druckhöhe für Rohrreibungsverluste). Sie sollte 1:4 bis max. 1:10 betragen. Bei der in Bild 2 dargestellten Anlage betrug

$$\eta = \frac{Q_2 \cdot H}{Q_1 \cdot h} = \frac{28,4 \cdot 164}{250 \cdot 27} = 0,64$$

Im allgemeinen kann η mit 0,7–0,8 angesetzt werden; ein Hersteller gibt sogar Wirkungsgrade von 0,9 an. (Vorsicht: manchmal ist η in der Literatur als $\frac{Q_2 \cdot (H-h)}{Q_1 \cdot h}$ definiert.)

Im folgenden sollen 3 Rechenbeispiele für das Leistungsvermögen eines Widders dargestellt werden (Rohrreibungsverluste vernachlässigt).

1. Eine Quelle liefert 30 Liter pro Minute, und Wasser soll zu einem 20 m höher liegenden Haus gepumpt werden. Der Widder wird 6,50 m tiefer als die Quelle aufgestellt ($h/H = 1/4$). Der Widder liefert

$$Q_2 = \frac{h \cdot Q_1}{H} \cdot \eta = \frac{6,5 \cdot 30}{26,5} \cdot 0,7 = 5,1 \text{ l/min} = 7,4 \text{ m}^3/\text{Tag}$$

2. Ein Bach hat ein Q_1 von 400 l/min. Die Aufstauhöhe beträgt 2 m, und Wasser soll für Bewässerungszwecke 6 m über die Ausgangshöhe gepumpt werden.

$$Q_2 = \frac{2 \cdot 400}{8} \cdot 0,7 = 70 \text{ l/min} = 100 \text{ m}^3/\text{Tag}$$

3. Die in Abschnitt 3 dargestellte Selbstbauanlage ist für kleinere Wassermengen gedacht und hat einen Wirkungsgrad von ca. 0,5. Mit ihr können beispielsweise bei 15 l/min Triebwasser, einer Triebwasserhöhe von 5 m und einer Pumphöhe von 20 m ca. 2,5 m³/Tag gefördert werden.

Bei gewerblich hergestellten Widdern ist ihre Größe je nach Triebwassermenge und Förderhöhe dimensioniert, und bei einem amerikanischen Hersteller kann man hierfür unter 20 Typen wählen. Sinnvoller als eine große Anlage ist jedoch der Parallelbetrieb von mehreren kleinen.

7. Kosten

Die Kosten sind je nach Typ und Hersteller verschieden: Die Selbstbauanlage erfordert nur geringe Materialkosten. Eine industriell gefertigte Anlage würde bei dem vorstehenden Rechenbeispiel 1 ca. 900 DM und bei dem Beispiel 2 ca. 3000 DM kosten. Dazu kommen noch die Ausgaben für die Nebenanlagen. In jedem Fall hat sich das eingesetzte Kapital in wenigen Jahren amortisiert, da ja beim hydraulischen Widder in den vielen Jahren seiner Tätigkeit keinerlei Betriebskosten hinzukommen.

Literatur

- [1] Eytelwein, J. A.: Bemerkungen über die Wirkung des Stoßhebers: Berlin 1805.
- [2] Güllingen, H./Stählin, W.: Über den hydraulischen Widder: „Die Bautechnik“, 5/1977, S. 163–166.
- [3] Calvert, N. C.: Hydraulic ram as a suction pump; „Journal of Inst. Water Engineers“, London 1960, No. 4.
- [4] Schlumpf: Werksangaben, o. Jahrg., Steinhausen/Schweiz.
- [5] Maurer, A.: Hydraulische Widderanlagen; „Installation“, Nr. 6/1949.
- [6] Pfister, Langhanss: Werksangaben, o. Jahrg., Nürnberg.
- [7] Watt, S. B.: A manual on the hydraulic ram: London 1975.

BAUANLEITUNG

Das Arbeitsverhalten eines hydraulischen Widder hängt u.a. ab von folgende Faktoren :

- die Treibhöhe (H_1)
- die Einlaufmenge (Q_1)
- die Steighöhe (H_2)
- die geförderte Wassermenge (Q_2)
- den Reibungsverlusten usw.

Man kann einen hydraulischen Widder jeweils nach den Gegebenheiten und Erfordernissen dimensionieren, wobei eine gewünschte Leistung erzielt werden kann, oder man baut einen hydr. Widder mit einer unbestimmten Grösse und hat dementsprechend, aufgrund der beeinflussenden Faktoren, eine sich ergebende, geförderte Wassermenge (Q_2).

Unsere Ermittlungen haben ergeben, dass beim hydr. Widder - Modell " CIOC " -, je nach der Einstellung der Ventile, die Einlaufmenge (Q_1) zwischen 12 und 20% des theoretischen Ausflussvolumen liegt; die Reduzierung ist die Folge der Arbeitszyklen der Ventile, aufgrund dessen ja gepumpt wird.

Ausschlaggebend für die Dimensionierung ist die Ausströmöffnung des Schlagventil, daher muss der Durchmesser hiervon bestimmt werden woraus dann die Baugrösse des Widder resultiert.

Dies kann wie folgt geschehen:

Angefangen mit der Formel für den Wirkungsgrad (η) des hydraulischen widder

$$\eta = \frac{Q_2 H_2}{Q_1 H_1} \quad \text{die umgestellt wird für die Ermittlung}$$

der erforderlichen Einlaufmenge (Q_1)

$$Q_1 = \frac{Q_2 H_2}{\eta H_1} \quad \text{wobei ein Wirkungsgrad (} \eta \text{) von 50\%}$$

genommen wird um somit eine Sicherheit bei einer geringen Leistung zu haben.

Da die Einlaufmenge (Q_1) nur 12 bis 20% des theoretischen Ausflussvolumen einer freien Ausströmung entspricht, muss man, mittels Dreisatz, das theoretische Ausflussvolumen bestimmen.

$$Q_{th} = \frac{Q_1}{12 \text{ bzw. } 20\%}$$

Das theoretische Ausflussvolumen (Q_{th}) ist gleich einer Säule deren Grundfläche die Ausflussöffnung (A) und deren Höhe die Länge (s) ist.

Mit der Berechnungsformel für das theoretische Ausflussvolumen (Q_{th}) kann man nun direkt den Durchmesser der Ausströmöffnung des Schlagventils bestimmen; jedoch ist dies etwas komplex.

$$Q_{th} = A \sqrt{2 g h} t$$

wobei: A = Querschnitt (Fläche) der Öffnung des Schlagventils

$\sqrt{2 g h}$ = freie Durchströmgeschwindigkeit (v)

g = Erdbeschleunigung = $9,81 \text{ m/s}^2$

h = H_1

t = Zeiteinheit

Rechnungsgang und Umstellung der Formel :

$$Q_{th} = A \sqrt{2 g h} t$$

$$A = r^2 \pi = \frac{d^2}{4} \pi$$

$$= \frac{d^2}{4} \pi v t$$

$$\sqrt{2 g h} = v$$

daraus folgt durch Umstellung auf den Durchmesser (d)

$$d = \sqrt{\frac{Q_{th} 4}{\pi v t}}$$

Übersichtlicher und deutlicher ist ein Berechnungsweg in Etappen, d.h. Ermittlung der einzelnen Größen aus der Formel für die Bestimmung des theoretischen Ausflussvolumen

$$Q_{th} = A \sqrt{2 g h} t$$

1. $\sqrt{2 g h} = v$ daraus folgt

$$= A v t$$

2. $v t = s$ daraus folgt

$$= A s$$

3. $A = r^2 \pi = \frac{d^2}{4} \pi$ daraus folgt

$$= \frac{d^2}{4} \pi s$$

4. Umstellung der Formel auf "d"

$$d = \sqrt{\frac{Q_{th} 4}{\pi s}}$$

Zu 1. die freie Durchströmgeschwindigkeit (v)

$$v = \sqrt{2 g h}$$

$g = 9,81 \frac{\text{m}}{\text{s}^2}$ = Erdbeschleunigung

$h = H_1$ in Meter = Treibhöhe

Zu 2. die Länge (s)

$$s = v t$$

v = freie Durchströmgeschwindigkeit

t = Zeiteinheit in Minuten

3. der Querschnitt (A) = Fläche der Austrittsöffnung des Schlagventils

$$A = r^2 \pi = \frac{d^2}{4} \pi \quad \text{da der Durchmesser (d) unbekannt und die gewünschte zu ermittelnde Grösse ist, daher}$$

4. die Umstellung der Formel :

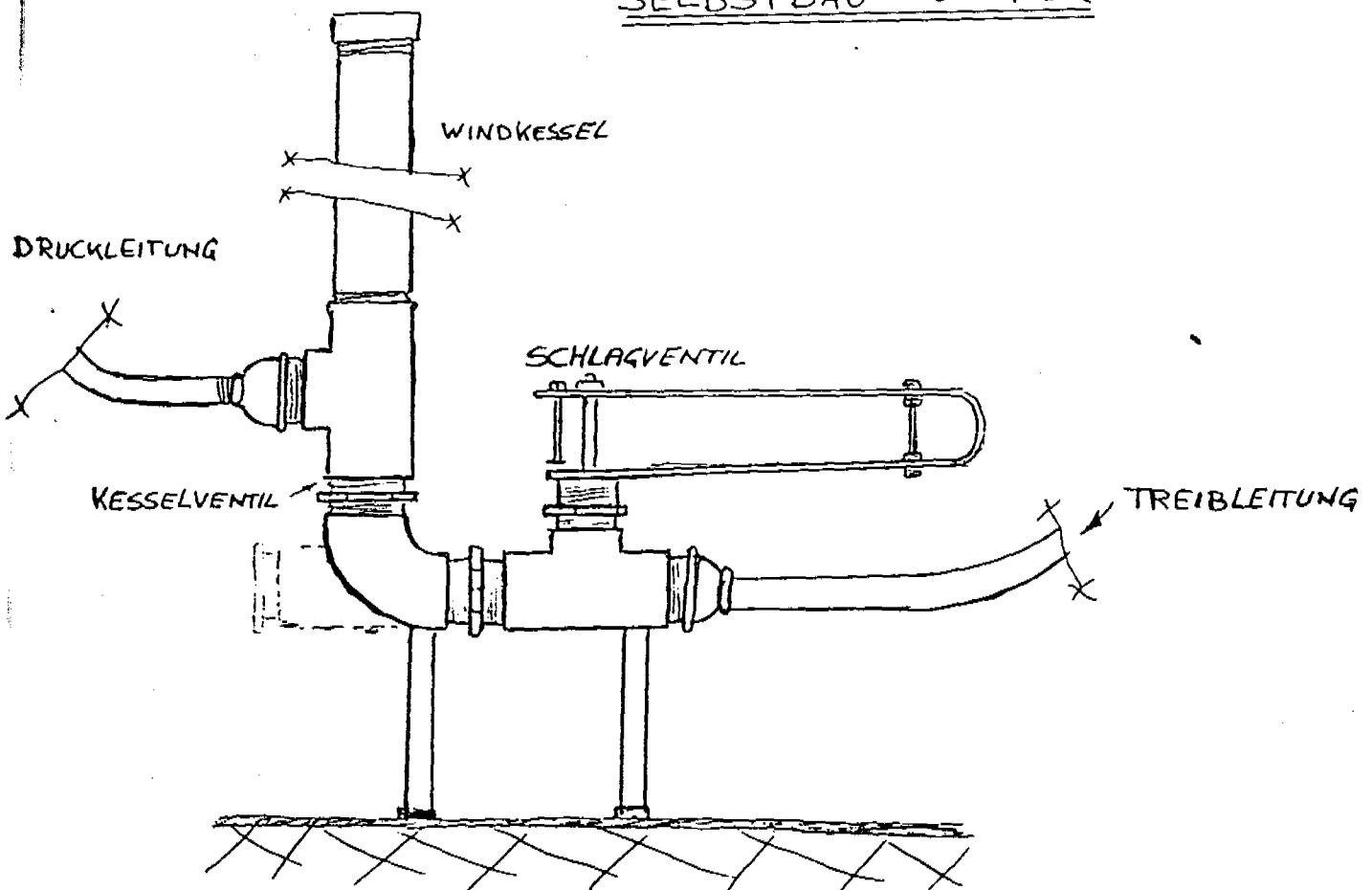
$$Q_{th} = A s = \frac{d^2}{4} \pi s \quad \text{daraus folgt}$$

$$d = \sqrt{\frac{Q_{th} \cdot 4}{\pi s}} \quad \text{wobei } Q_{th} \text{ : in Liter pro Minute} = \frac{\text{dm}^3}{\text{min}}$$

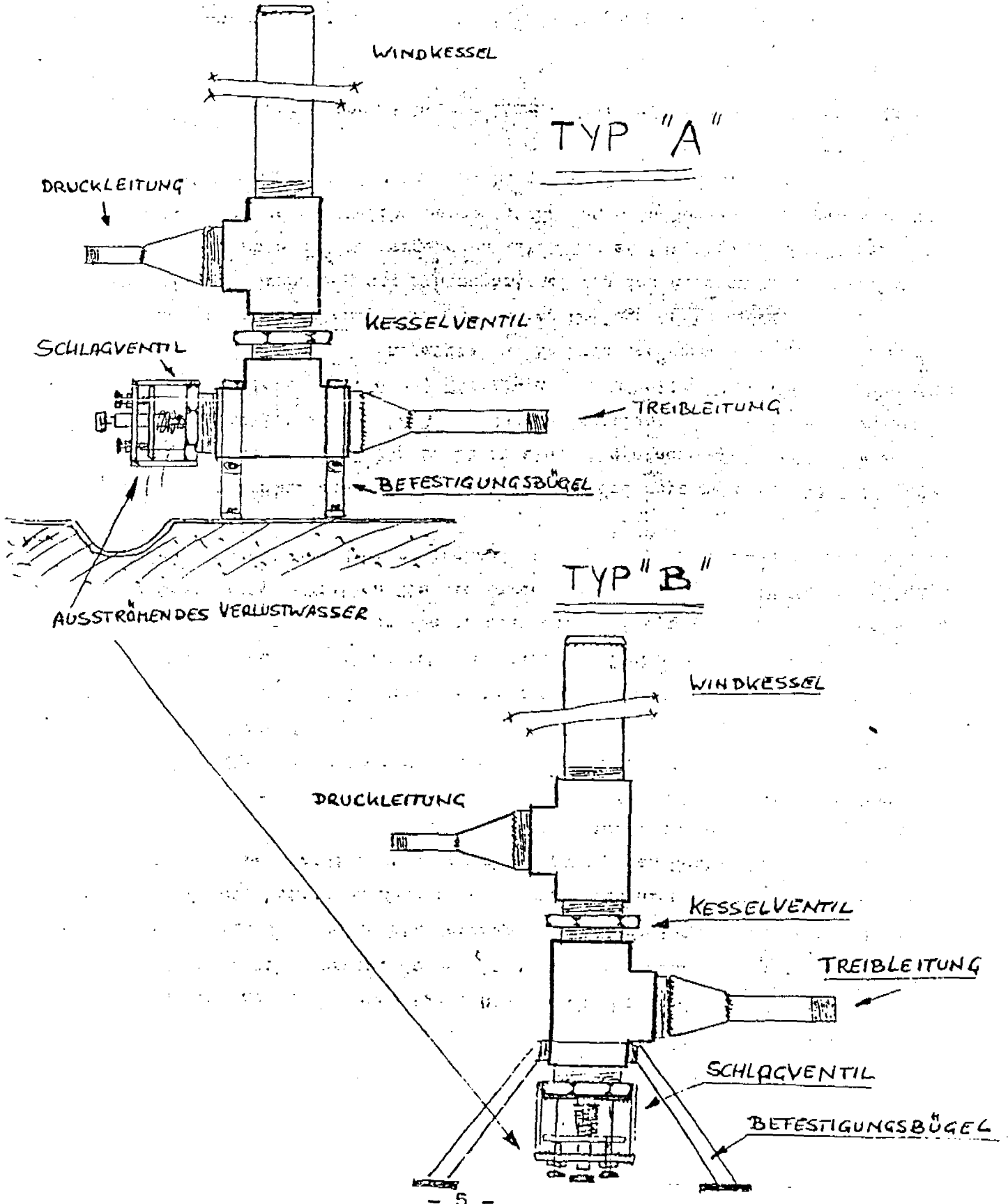
s in Dezimeter (dm)

Der Durchmesser der Austrittsöffnung des Schlagventils bedingt die Baugrösse des hydraulischen Widders; beim Modell " CIOC " ist der Innendurchmessers des Widderkörpers mindestens um ein Zoll (2,54 cm) grösser als die Ausströmöffnung des Schlagventils. Gegenüber der nachfolgenden Darstellung der bisher gebräuchlichen Konstruktion eines hydraulischen Widders aus Rohrelementen wird beim Modell " CIOC " ein gutes Drittel an Material eingespart.

SELBSTBAU - WIDDER

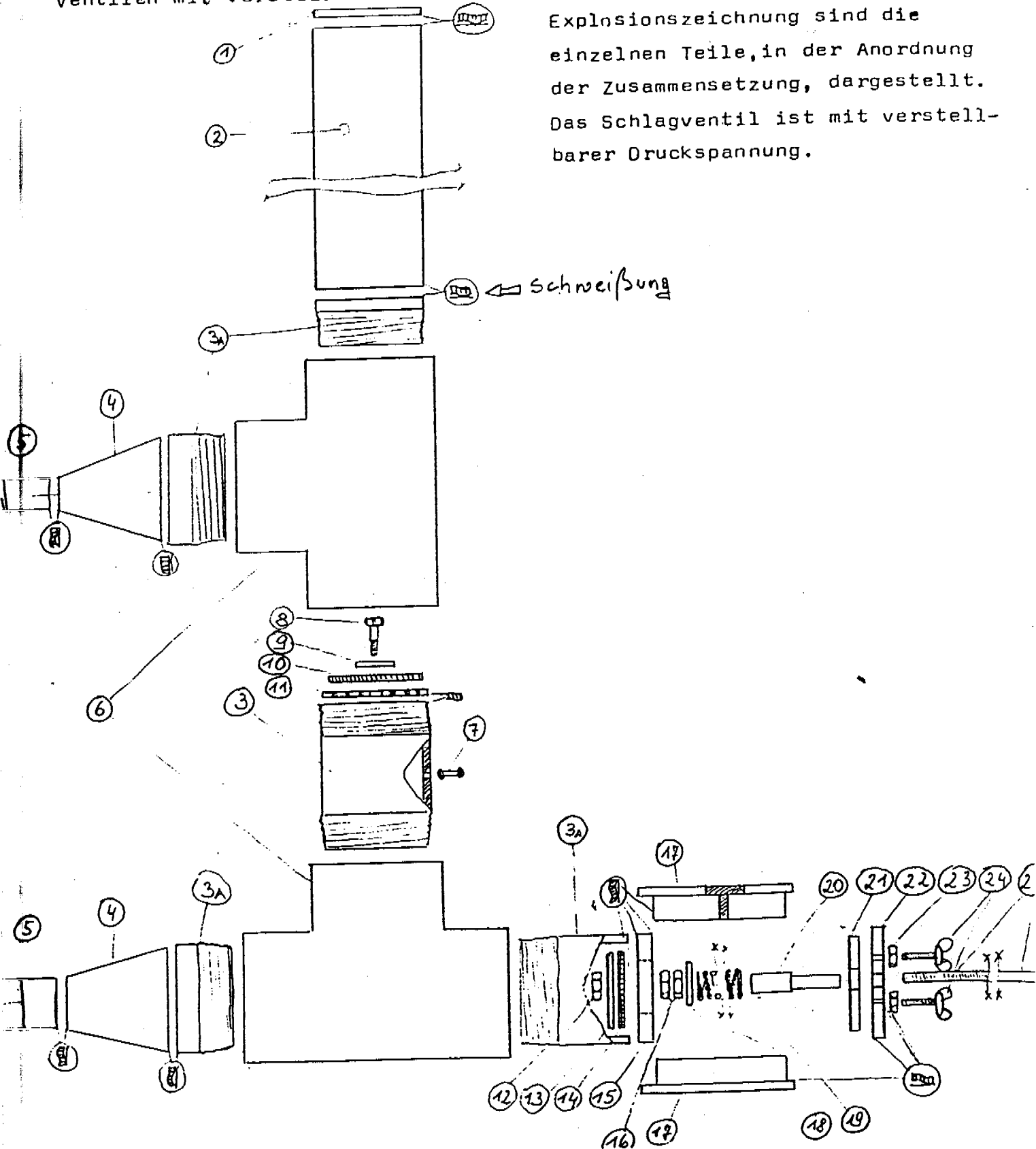


Das Modell "CIOC" kann ^{aus} mit den gleichen Bauteilen zu zwei Typen - A und B - zusammengebaut werden. Gegenüber der üblichen Konstruktion wird beim Modell "CIOC" ein Rohrknief bzw. ein T-Rohrstück und ein Verbindungsstück eingespart.



Je nach den vor Ort erhältlichen Materialien können die Ventile in ihrer Konstruktion beliebig sein; man muss nur achten, dass die Funktionen - Öffnen - Schliessen erfüllt werden und eine Dichtung im geschlossener Position gewährleistet ist. Wir haben verschiedene Ventiltypen entwickelt und es zeigte sich ein Vorteil bei den Ventilen mit verstellbarer Druckspannung. Anhand der folgenden

Explosionszeichnung sind die einzelnen Teile, in der Anordnung der Zusammensetzung, dargestellt. Das Schlagventil ist mit verstellbarer Druckspannung.



Erklärung der Explosionszeichnung :

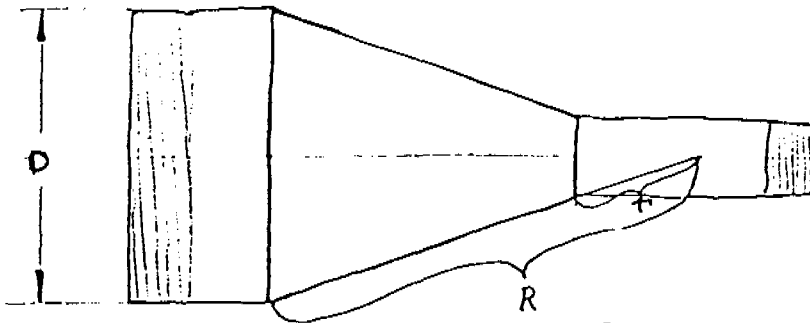
- I. Deckplatte für Windkessel - rohr
2. Rohr für Windkessel; entweder mit Gewinde oder ohne Gewinde
so wie in der Zeichnung, aber dann ist ein Teil Nr. 3_A erforderlich
3. Rohrzwischenstück
- 3_A. getrenntes Teilstück von Teil Nr. 3
4. Trichter-Anströmstück - Fertigungsbeschreibung folgt weiter hinten
5. Rohrstück mit Gewindeteil oder Halbtteil von ein Rohrzwischenstück
6. " T " - verbindung
7. Schnüffelventilstift
8. Mutter
9. Beilagscheibe
10. Gummischeibe (für Ventildichtung)
- II. Ventilplatte
- I2 bis 25 Bauteile für das Schlagventil
- I2. Mutter
- I3. Ventildruckscheibe
- I4. Gummischeibe (für Ventildichtung)
- I5. Ventilplatte mit Ausflussöffnung
- I6. Mutter für Fixierung
- I7. seitliche Bügel des Rahmen aus " T "-profil
- I8. Beilagscheibe
- I9. Spiralfeder für die Ventilspannung
20. Führungshülse
21. Platte für die Spiralfederspannung
22. Oberteil des Rahmens
23. Mutter
24. Stellschraube
25. Ventilschaft

Fertigungsbeschreibung der Übersetzungsteile

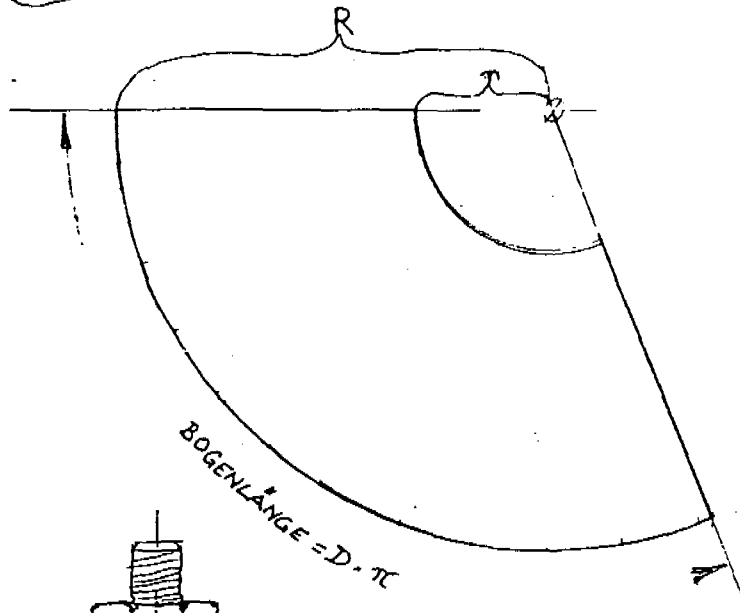
Aufgrund der hohen Anschaffungskosten der Übersetzungs-(Reduzier--)-elemente sind für die Anschlüsse der Treib- und der Steigleitung eigene Bauteile gefertigt. Diese Bauteile haben eine bessere Strömungsverteilung und erzeugen weniger Widerstand.

Mittels eines Aufriss des Übersetzungsteils (Reduzierteil) ermittelt man den Radius des Mantelteiles, desweiteren ermittelt man auf den Rechnungsweg den Umfang von Teil Nr. 3_A (Bodenlänge), der als Bogenlänge

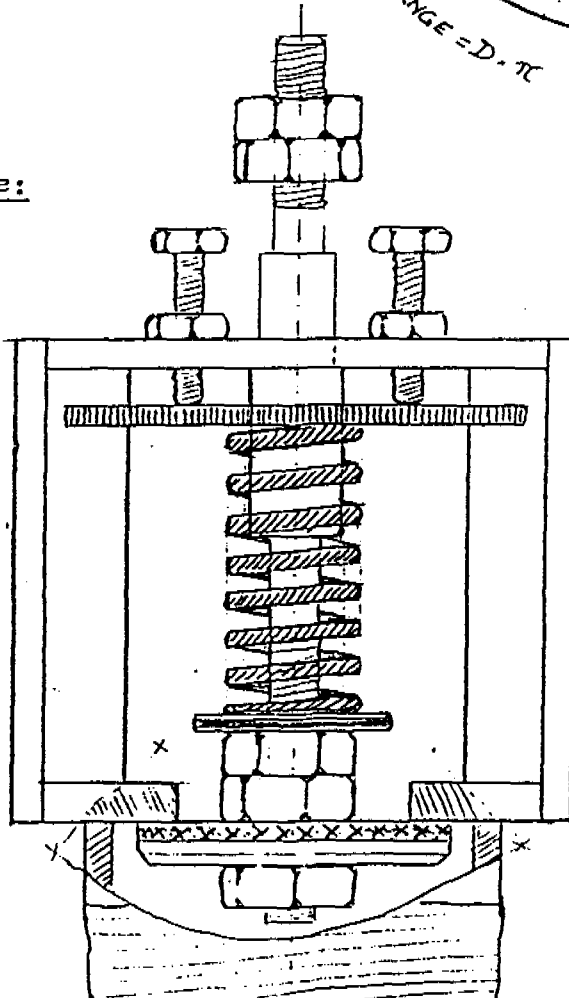
die Grundlinie des Mantels darstellt.



$D \pi =$ Umfang =
die Grundlinie des
Trichterteiles =
Bogenlänge



Schlagventile:



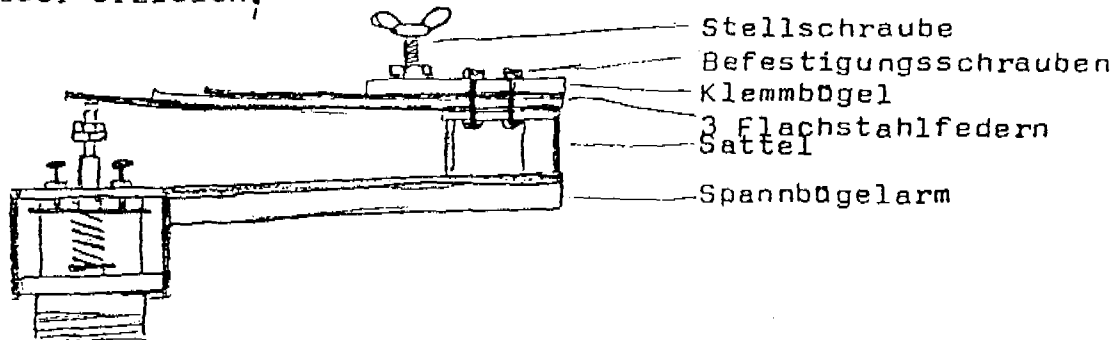
BASISMODELL "C10C"

(im geschlossenen Zustand)
mittels den Stellschrauben
kann die Platte bewegt werden
durch welche die Federspannung
variiert werden kann, während
der hydraulische Widder in
Funktion ist.

Schlagventil mit Flachfeder MODELL " CIOC " II

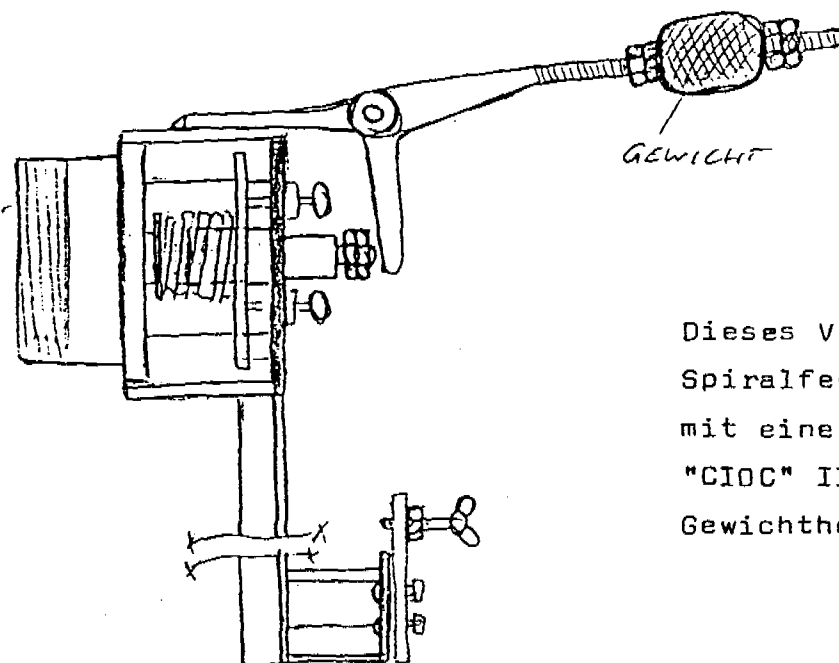
Das Basismodell "CIOC" ist mit einem Spannbügel erweitert woran einige oder eine Flachstahlfeder befestigt ist die auf das Ventil einwirkt.

Mittels einer Stellschraube kann die Druckspannung der Flachstahlfeder variiert werden; Bei grösseren Ausführungen kann noch zusätzlich, sowie beim Basismodell "CIOC", mittels einer Spiralfeder die Druckspannung verbessert werden; man kann die Feineinstellung mit der Spiralfeder erzielen,



Schlagventil mit dreifacher Funktionsmöglichkeit MODELL " CIOC " III

Stellt eine Erweiterung des Modell " CIOC " II dar und hat als Zusatzteil ein Mechanismus mittels Hebelwirkung.



Die Druckspannung ist durch verschieben des Gewichtblockes zu variiert. Jeder Öffnungsmechanismus ist unabhängig von den anderen Möglichkeiten.

Dieses Ventil funktioniert mit einer Spiralfeder so wie Basismodell "CIOC", mit einer Flachstahlfeder wie Modell "CIOC" II und als letztes auch mit Gewichthebel.

Das Kesselventil kann in seiner Konstruktion beliebig sein man hat hier viele Baumöglichkeiten und man kann auf, vor Ort vorhandene Materialien, greifen.

Besonderes Augenmerk sollte man der Dimensionierung des Schnüffelventils (Luftventil) widmen, weil hiermit ein schonendes Arbeitsverhalten und eine Leistungsverbesserung erzielt werden kann.

Der Windkessel sollte gross genug dimensioniert sein weil auch hiermit aufgrund bessere Dämpfung eine Schonung des Widders erzielt wird.

Weitere Information über den Selbstbauwider Modell " CIOC " liegt als Anlage in spanischer Sprache bei.



Helmut Petermann

La Paz, den 29. Februar 1984

Hydraulic Ram

PHYSICS for RURAL DEVELOPMENT

*A Sourcebook for Teachers
and Extension Workers
in Developing Countries*

DIGBY G. SWIFT

*Appropriate Technology Centre
Kenyatta University College*

JOHN WILEY & SONS

Chichester · New York · Brisbane · Toronto · Singapore

CHAPTER 6

Designing a Hydraulic Ram Installation *An Exercise in Fluid Dynamics*

A waterfall in a stream or river, especially a fall that is very high and has a lot of water flowing over it, can be a beautiful and awe-inspiring sight. It can also be a useful source of power: power for driving machinery; power for generating electricity; power merely to pump water from that stream or river up to a higher level, e.g. to supply water to a village, farm, hospital or school.

It is the third of these applications of water power that we will consider in the present chapter: driving a pump to supply water to a school. The hydraulic ram is the name of the most common water-driven pump. It is a pump that has been widely used in many countries, yet it is still relatively unfamiliar compared to diesel or electric pumps, and is therefore not used as frequently as its advantages warrant. In this chapter we attempt to design a suitable hydraulic ram installation for the following imaginary situation, illustrated in Figure 6.1.

A new school is being built on a hill overlooking a waterfall. Details of the school, its approximate height above and distance from the stream, and the size and flow of the stream (estimated by timing the passage of floating leaves) are all known (see below). The problem is to decide:

- whether a ram installation can meet the expected demand for water at the school, and
- the most suitable design for a ram installation for the school, assuming one is feasible, including the number and size of rams and tank and pipe specifications.

The following is the input data that will be used in subsequent sections to solve this problem.

Details of the school:

500 students and 20 staff

Water to be used for cooking, washing, water-borne sewage, etc. but
not for irrigation

Variations in demand and supply of water may be ignored

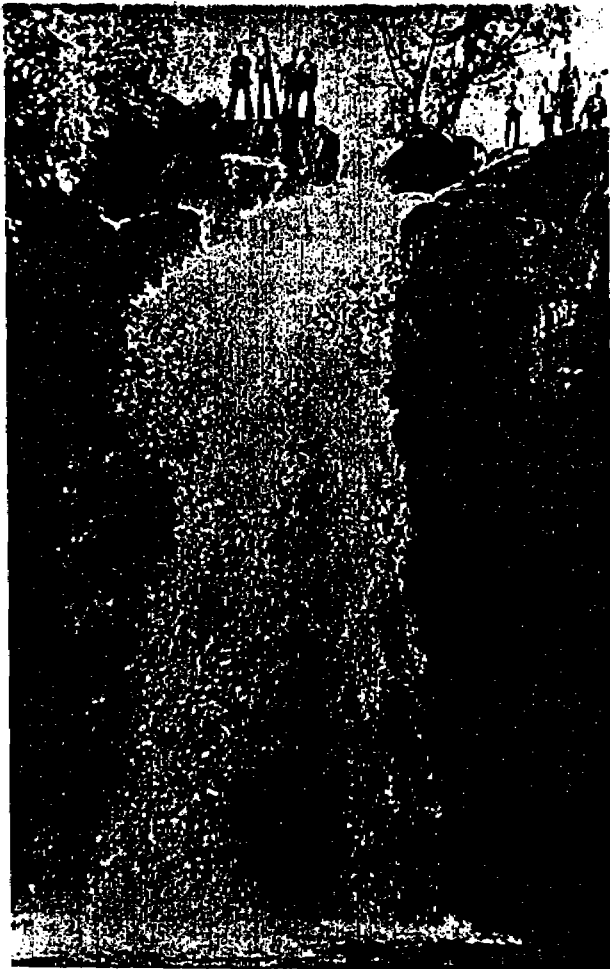
Height of school above stream 50 m

Distance from stream 1 km

Required height above ground of water in school header tank 10 m

Details of stream and waterfall:

Height of waterfall 3 m



A large waterfall: an abundant source of power

Drop in height of stream over region to which school has access	5 m
Average width of stream	2 m
Average depth of stream	0.5 m
Average surface speed of stream	0.2 m/s

which suggests that the average speed of the stream is approximately 0.1 m/s. (Note: The speed of the water decreases with depth, being zero at the stream bed.)

FLUID DYNAMICS AND SCHOOL PHYSICS

Fluid dynamics is one of the most useful areas of physics to the rural engineer. He needs it to design irrigation ditches, water pipe networks, dams, windbrakes,

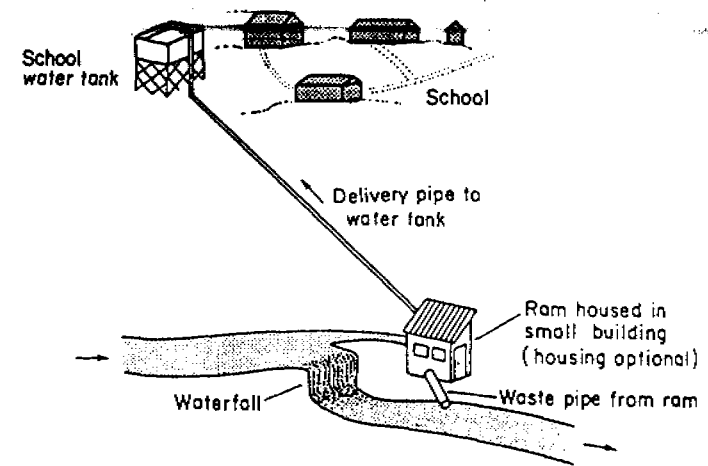


Figure 6.1 Hydraulic ram supplying water to a school

windmills, etc. Even seed and soil can in some circumstances be treated as fluids.

On the other hand, fluid dynamics does not appear to receive much emphasis in school physics courses. The only fluid dynamics topics commonly appearing are:

- (i) viscosity, and
- (ii) the Bernoulli effect.

One reason for this imbalance in emphasis is that most other areas of fluid dynamics are extensions and applications of the basic mechanics of solids covered in schools, including:

- (iii) Newton's laws of motion,
- (iv) kinetic and gravitational potential energy.
- (v) potential strain energy in a spring, and
- (vi) Power.

Applications of all these topics are considered in this chapter.

POWER AVAILABLE FROM THE STREAM

In any water power project, most of the water we take from the stream must later be returned to the stream. The power available is then the power of the incoming water minus that of the water returned to the stream. The returned water should ideally rejoin the stream at the lowest level to which there is easy access, and at minimal (virtually zero) velocity. We can then say that it has zero energy. All energy is relative to some zero-energy level or 'datum', and in this case the datum corresponds to the water re-entering the stream.

Now the water coming from the stream will have:

- (i) kinetic energy due to its speed, and
- (ii) potential energy due to its height above the datum.

If the stream has depth D , width W , and speed v , then the mass of water flowing

past a point along the stream in unit time is:

$$m = DWvd, \quad (6.1)$$

where d is the density of water.

The kinetic and gravitational potential energies of this water are therefore, respectively (see Chapter 4):

$$E_k = \frac{1}{2}mv^2 = \frac{1}{2}dDWv^3, \quad (6.2)$$

and

$$E_p = mgh = dDWvgh, \quad (6.3)$$

where h is the height above the datum.

In equations (6.2) and (6.3), E_k and E_p represent the energy of the volume of liquid passing *in unit time*. They therefore together equal the power of the stream P_i . Using the input data for the stream we obtain the final result:

Input power available

$$\begin{aligned} P_i &= \frac{1}{2}dDWv^3 + dDWvgh \\ &= \frac{1}{2} \times 1000 \times 0.5 \times 2 \times (0.1)^3 + 1000 \times 0.5 \times 2 \times 0.1 \times 9.8 \times 5 \text{ W} \\ &= 5 + 4900 \text{ W} \\ &= 4.9 \text{ kW.} \end{aligned}$$

(Note that the height h is the total drop in height of the stream, not just the height of the waterfall.)

POWER OUTPUT REQUIRED

The anticipated demand for water can be estimated by looking at the monthly water-meter readings for similar schools. The following values are typical of such readings:

Building	Water used (m^3 per month)
Kitchen for 500 students	1000
Dormitories for 500 students	1000
Four laboratories with ablutions	120
Two ablution blocks	90
Dispensary	30
Twenty staff houses	800
Total	3040 m^3/month

Or, approximately 6 m^3 per month per student. In practice this may vary by up to 50%, i.e. total demand = $3000 \pm 1500 \text{ m}^3$ /month.

Since the hydraulic ram does not use fuel, it is not important if the school is oversupplied with water (i.e. no fuel is wasted).

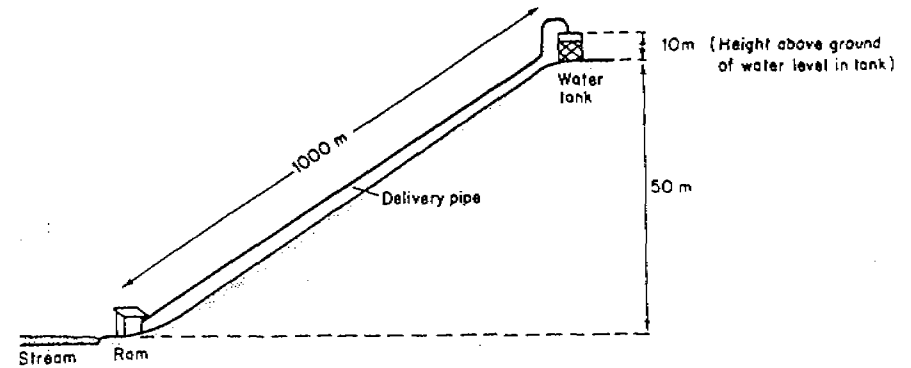


Figure 6.2 Power output required from the ram (horizontal scale reduced compared with vertical scale)

Consequently, the output volume Q required should be taken as:

$$Q = 4500 \text{ m}^3/\text{month} = 1.7 \times 10^{-3} \text{ m}^3/\text{s}.$$

Note that the total flow of water in the stream = $DWv = 0.1 \text{ m}^3/\text{s}$, so that the volume of water required for the school is less than 2% of the water in the stream.

To find the power required to pump this volume of water to the school tank, consider Figure 6.2. If a reasonably large delivery pipe is used, the speed of the pumped water will be negligible, along with its kinetic energy (as was the case with the water in the stream). The output power required is therefore that needed to provide the gravitational energy of the water entering the tank height $h = 60 \text{ m}$ above the datum (i.e. the stream).

Thus, output power required is:

$$\begin{aligned} P_o &= Qdgh \\ &= 1.7 \times 10^{-3} \times 1000 \times 9.8 \times 60 \text{ W} \\ &= 1.0 \text{ kW.} \end{aligned}$$

IS A HYDRAULIC RAM INSTALLATION POSSIBLE?

The efficiency of a hydraulic ram, or any other machine or engine, is defined as:

$$\begin{aligned} \eta &= \frac{\text{useful energy output}}{\text{total energy input}} \\ &= \frac{\text{useful power output}}{\text{total power input}} \end{aligned}$$

In the present case the minimum efficiency the ram system could have and still work is

$$\begin{aligned} \eta &= \frac{\text{output power required}}{\text{input power available}} \\ &= \frac{1.0}{4.9} = 20\%. \end{aligned}$$

Commercial hydraulic rams have efficiencies of around 65%, so it is certainly possible to supply all the water the school needs using a hydraulic ram installation.

OBTAINING THE NECESSARY PRESSURE—THE PRINCIPLE OF THE HYDRAULIC RAM

Water entering the ram falls from a height of at most 5 m. The ram then pumps it to a height of 60 m. From where does it get the extra pressure?

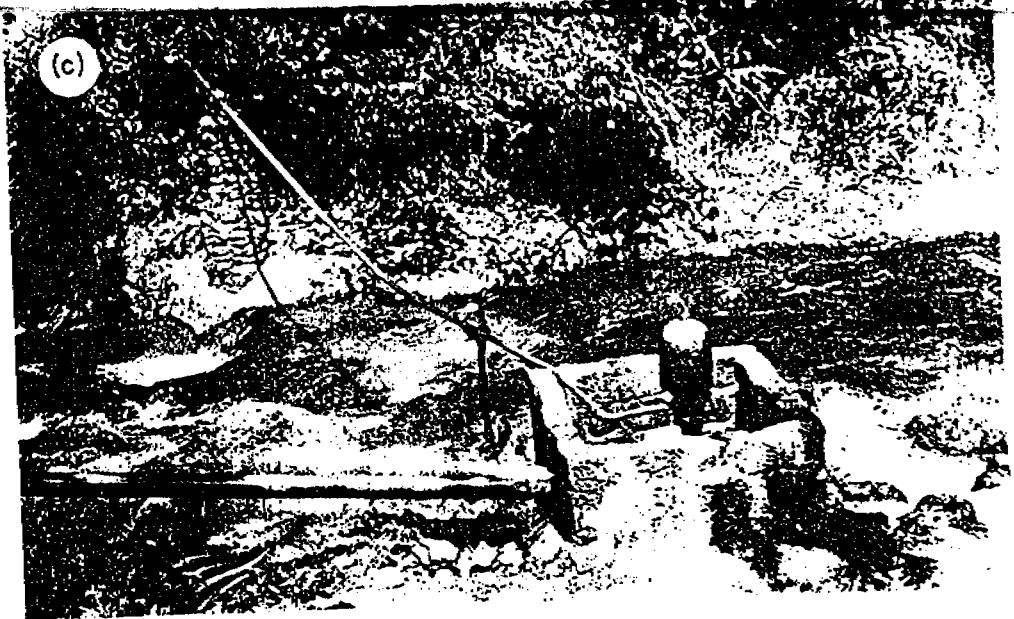
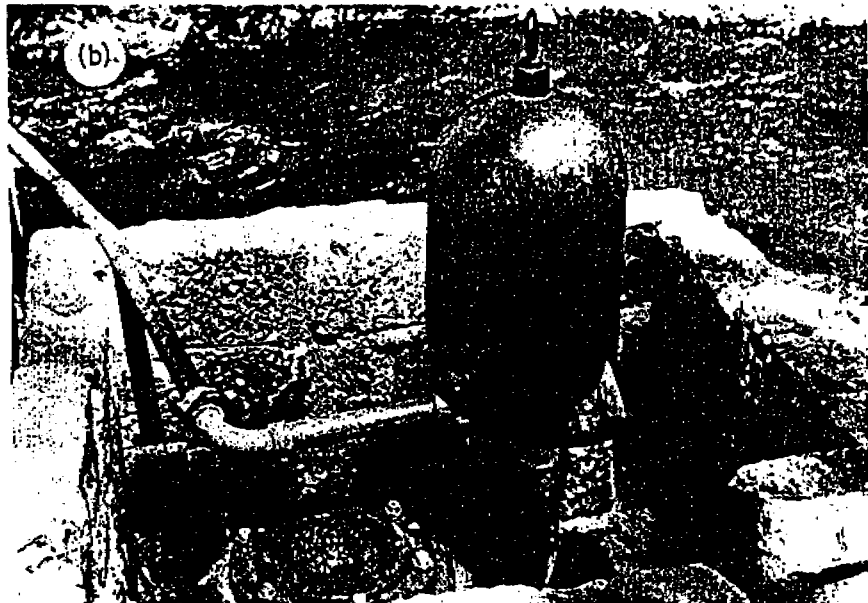
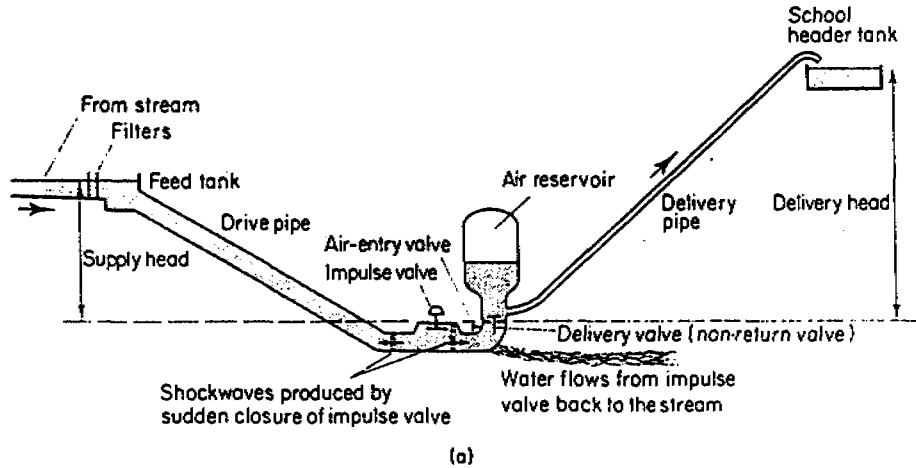


Figure 6.3 (a) Principle of the hydraulic ram. Shockwave from automatic closure of impulse valve drives water up delivery pipe. (b) One common type of hydraulic ram. (c) The ram installation showing thick drive pipe and thinner delivery pipe

Pressure is force divided by area. To provide an additional pressure, all that is needed is an additional very large force. Force, according to Newton's second law, is equal to rate-of-change of momentum (or, in other words, mass multiplied by acceleration). All we need to do is to accelerate, or decelerate, a large mass very rapidly.

In the hydraulic ram the input water is allowed to flow rapidly down the input drive pipe (see Figure 6.3) and out of the 'impulse valve'. This valve then suddenly closes, decelerating very rapidly the large mass of water in the drive pipe.

This large and rapid change in momentum produces a large force. The water is compressed to a high pressure in what is called a 'shockwave' which forces the water through the delivery valve and up the outlet pipe. (The same principle applies to the banging of water pipes experienced when a tap is suddenly turned off.)

The action of the impulse valve is shown in Figure 6.4. The valve consists of a metal plate A covered by a valve washer (e.g. tyre rubber) which, when raised, presses against the valve plate and prevents water from passing through the valve. A weight or spring helps keep it open except during the impulse itself.

The impulse occurs as follows. Water rushing out of the valve pushes the metal plate A up. It is also raised by the Bernoulli effect. Water rushes out between the valve washer and the valve plate such that the velocity of water above the plate is greater than that below the plate. The water pressure is therefore less above the plate than below the plate. Both these effects cause the plate to rapidly rise and

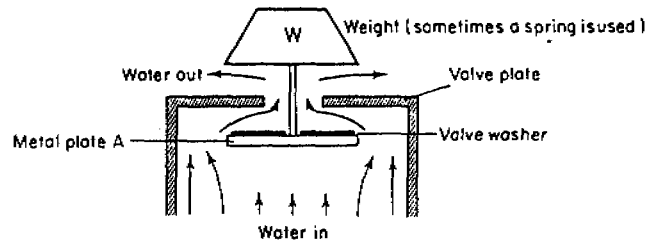


Figure 6.4 Impulse valve

close the valve, producing the shockwave. Once the high pressure of the shockwave has been dissipated by water flowing through the delivery valve and returning back up the drive pipe, the impulse valve opens once more (assisted by the weight or spring). The process then repeats.

The rate at which this process occurs depends on the weight or spring operating the impulse valve. This is usually adjustable. If adjusted so that the interval between the impulses is long, high output pressures will be obtained, but the output volume will be low (too much water wasted). If the intervals are made very short, the output flow will be large but, since the water in the drive pipe will not have reached its full velocity, the output pressure will be reduced.

The small air inlet allows air to re-enter the air reservoir to replace that which dissolves under high pressure in the water. The purpose of the air reservoir is to act as a spring temporarily absorbing the kinetic energy of water in the reservoir, so that the impulse does not travel up the delivery pipe to the tank. After the impulse has passed, the 'spring energy' in the air forces the water down again and closes the delivery valve.

It should be emphasized that the ram increases the water pressure but not the energy of the water. A large volume of water enters down the drive pipe at relatively low pressure. A much smaller volume leaves at high pressure up the delivery pipe. Most of the water spills (at low energy) through the impulse valve.

CHOICE OF DELIVERY PIPE

The choice of delivery pipe is determined by the energy dissipated as friction by the water flowing through the pipe. If the water is flowing smoothly through the pipe in 'streamline flow' then Poiseuille's formula applies, i.e.

$$Q = \frac{\pi p a^4}{8 \eta L}, \tag{6.4}$$

where p is the pressure forcing volume per-unit-time Q of water of viscosity η through a pipe of length L and radius a .

If the water is turbulent, then the Darcy-Weisbach formula applies:

$$h_f = \frac{f L v^2}{g a}, \tag{6.5}$$

where h_f is the 'head loss' (reduction in effective height h giving the water its potential energy), v is the water velocity, and f the 'frictional coefficient' of the pipe.

Whether the flow is turbulent or streamlined depends on the Reynold's number Re of the flow where, in this case,

$$Re = \frac{v a d}{2 \eta} \tag{6.6}$$

If Re exceeds 2000, then the flow is likely to be turbulent.

In most practical situations the flow through pipes is turbulent, although we should check to make sure, taking the viscosity η of water to be 0.001 kg/ms . The frictional coefficient f can be obtained for pipes of different materials from hydraulics manuals (f itself depends to some extent on the value of Re). We will assume that galvanized steel pipes are being used. The required volume rate of flow is $1.7 \times 10^{-3} \text{ m}^3/\text{s}$, which must be equal to the speed of the water multiplied by the pipe cross-section area, i.e.

$$Q = \pi a^2 v = 1.7 \times 10^{-3} \text{ m}^3/\text{s}.$$

The length of the delivery pipe is $L = 1000 \text{ m}$ (the distance to the school).

Substituting these values into equations (6.5) and (6.6) gives the results shown in Table 6.1.

The 20 mm pipe can be seen to be grossly inadequate. Even if a large stream were available to supply the necessary power, using rams 27 times as powerful as would otherwise be necessary would greatly outweigh any saving in cost from using thinner delivery pipe.

At the other extreme, the 125 mm pipe gives a negligible head loss, but is very expensive compared with the 75 mm and 100 mm pipes for which the frictional loss is still very small. Considering the very high cost of a 1 km long pipe, the 75 mm pipe is probably the best compromise, adding just 4", to the output power required from the ram.

Table 6.1 Energy loss due to friction as water flows along delivery pipes of different diameters to the school

Pipe diameter (mm)	Reynold's number, Re	Friction coefficient, f	Head loss h_f (m)	Fractional loss of energy ($= h_f/h$)
20	108 000	0.0054	1600	27
25	87 000	0.0054	530	8.8
40	54 000	0.0056	52	0.87
50	43 000	0.0058	18	0.30
75	29 000	0.0060	2.4	0.040
100	22 000	0.0062	0.59	0.0098
125	17 000	0.0064	0.20	0.0033

Table 6.2 Hydraulic ram data of the type shown in the manufacturer's literature

Ram size (i.e. model number)	1	2	3	4	5	6
Driving water required ($10^{-4} \text{ m}^3/\text{s}$):						
min.	1.0	2.0	4.5	10	25	30
max.	2.5	4.0	10	25	50	75
Maximum height to which ram will pump water (m)	150	150	120	120	100	100

CHOOSING THE HYDRAULIC RAM

Commercial rams are designed in terms of driving water required and maximum delivery heads, as shown in Table 6.2. Any of the rams listed in this table will pump to a height of 60 m, so the deciding factor in the present case will be the volume of driving water required. This need not be the full volume flow of the stream. We only need to take sufficient water to give the necessary output energy.

Note that ram efficiency is:

$$\eta = \frac{\text{output energy}}{\text{input energy}}$$

$$= \frac{\text{output flow} \times \text{output head}}{\text{input flow} \times \text{input head}}$$

Hence, input flow is:

$$\frac{\text{output flow} \times \text{output head}}{\eta \times \text{input head}}$$

In our case the output and input heads are 60 m and 6 m, respectively, whilst the output flow is $1.7 \times 10^{-3} \text{ m}^3/\text{s}$. A typical ram efficiency is 65%.

Hence, input flow is:

$$\frac{1.7 \times 10^{-3} \times 60}{0.65 \times 6} \text{ m}^3/\text{s}$$

$$= 0.026 \text{ m}^3/\text{s}.$$

From Table 6.2 it can be seen that four of the largest size 6 rams are needed (or five of the next largest, etc.). These rams need to be connected in parallel.

CHOICE OF DRIVE PIPE

The drive pipe must be of galvanized steel or spun iron because of the sudden high pressure due to the shockwaves. We will again assume galvanized steel is used, giving the f -values shown in Table 6.3. The length of pipe depends on the slope. It is generally recommended that the length should be between four and five times

Table 6.3 Energy loss due to friction as water flows along drive pipes of different diameter to the ram

Pipe diameter (mm)	Reynold's number, Re	Friction coefficient, f	Head loss h_f (m)	Fractional loss of energy
50	180 000	0.0042	5.4	0.90
75	120 000	0.0042	0.72	0.12
100	89 000	0.0043	0.17	0.030
125	71 000	0.0044	0.060	0.010

the working height, say 25 m in our case of a 6 m fall. Since there are four rams carrying in total $0.026 \text{ m}^3/\text{s}$, the volume rate of flow in each will be $0.0065 \text{ m}^3/\text{s}$. The resulting values for Re and energy loss are shown in Table 6.3.

If we were using the same basis for selection as in the case of the delivery pipe, the 75 mm diameter pipe might seem the best choice. However, in this case new considerations apply, as follow.

(i) The drive pipes, even when added together, are much shorter than the delivery pipe. Thus, the penalty for using too large a pipe is not so severe.

(ii) We have assumed a steady input flow. In practice, the flow is cyclical, with the water pausing during the recoil and then accelerating to a value well in excess of $0.007 \text{ m}^3/\text{s}$. This cyclical behaviour results in the actual frictional head loss at maximum flow down the drive pipe being considerably higher than the values indicated above.

For both these reasons it is advisable to choose a pipe with a very low frictional head loss. Thus a better choice than the 75 mm pipe is the 125 mm pipe, for which the frictional head loss at average flow is less than 1%. This, incidentally, is the diameter recommended by the manufacturers for the drive pipe of the size of ram that we have selected.

SUPPLY AND HEADER TANK SIZES

The purpose of a tank is to allow for fluctuations in supply or demand. If the school were always to consume water at exactly the rate it came from the ram there would be no need for a header tank. In practice, there will be times when the demand temporarily exceeds the rate at which water is flowing from the ram. (For example, the daytime demand far exceeds the night-time demand.) The header tank can supply this temporary increase in demand. When the consumption of water is temporarily less than the supply from the ram, the tank can fill up with the excess water from the ram. (When the tank is full, an overflow pipe will carry the excess water back to the stream, or to irrigate a garden.)

The size of tank required will depend on the size and duration of the expected fluctuations in demand. For fluctuations over the course of one day a tank that can store a quarter of a day's expected consumption is usually considered adequate. For meeting longer-term fluctuations and, indeed, most contingencies, a

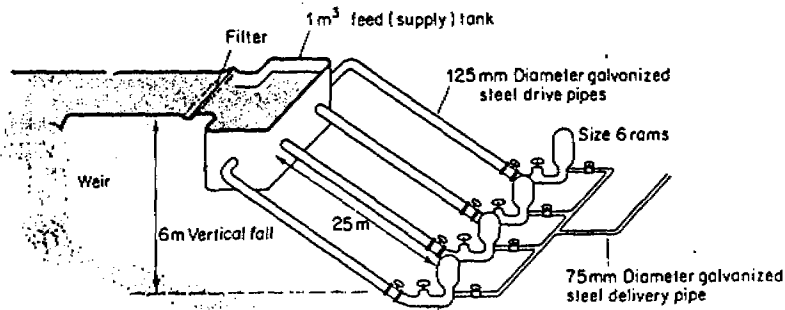


Figure 6.5 Final design of ram installation

three-day storage is recommended (i.e. storing three times the daily rate). A compromise that is often made is to design header tanks to store one-half of a day's anticipated supply.

For our ram installation, half of one day's anticipated consumption, and therefore the volume V of the required header tank, is:

$$\begin{aligned} V &= \frac{1}{2} \times \text{volume rate of flow} \times \text{time} \\ &= \frac{1}{2} \times (1.7 \times 10^{-3}) \times (24 \times 60 \times 60) \text{ m}^3, \end{aligned}$$

i.e. header tank size = 75 m^3 .

The height of the tank must be such that it can supply water at reasonable pressure to all the school buildings.

The supply tank should similarly be large enough to average out fluctuations in the supply of water to the rams. This is not difficult, since each ram pumps regularly about once every second, giving a maximum fluctuation in supply of only 0.03 m^3 . However, a supply tank much larger than this—say 1 m^3 —will help by slowing the water down before it enters the drive pipe, allowing silt to settle out that might otherwise collect in the ram itself. A filter should also be included in the supply tank to prevent leaves and other debris from entering the rams.

The final design for the hydraulic ram installation is therefore that shown in Figure 6.5.

FURTHER WORKED EXAMPLES ON FLUID DYNAMICS

WE 6.1 A Pelton wheel generator

Problem

Figure 6.6 shows a Pelton wheel that is used to generate electricity when there is a large head of water (e.g. a high dam). It is especially useful for many small streams in hilly regions. In Figure 6.5 the height of water behind the dam above the level of the pipe is $h = 5 \text{ m}$. The pipe has cross-section area $A = 0.01 \text{ m}^2$. The load on the wheel is adjusted to

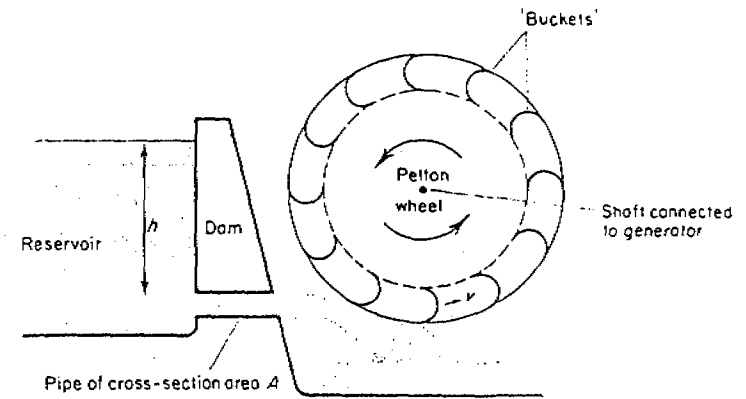


Figure 6.6 Pelton wheel

alter its speed, and it is found that when the buckets are moving at speed $v = 5 \text{ m/s}$ the water hitting them loses all its forward momentum but does not bounce back.

- Identify the energy changes that take place at this hydroelectric installation.
- Find the speed of the water jet.
- Find the force the jet exerts on the buckets.
- Find the power of the hydroelectric system, assuming a generator efficiency of 100% .
- Why will the efficiency of such a generator be less than 100% in practice.

Solution

- The water behind the dam at the bottom of the stream has strain energy due to the pressure of water above it. The water above the bottom of the stream behind the dam has gravitational potential energy due to being above the ground or outlet pipe. As the water flows through the pipe this strain energy and gravitational potential energy is converted to kinetic energy.
 - The kinetic energy of the water is converted to rotational kinetic energy of the Pelton wheel, and hence (via a shaft or belt drive) to rotational energy of the generator.
 - The kinetic energy of the generator is converted to electrical energy in the output lines from the generator.
 - Some of the kinetic energy of water and generator will produce heat energy (e.g. in the bearings) and sound energy (e.g. as the water hits the ground). Some of the electrical energy from the generator will also produce heat in the wires of the generator.
- Suppose mass m of water flows in unit time at speed u out of the pipe, after falling a distance h behind the dam. The loss is gravitational potential energy of this water is:

$$E_p = mgh.$$

The gain in kinetic energy is:

$$E_k = \frac{1}{2} mu^2.$$

Since these must be equal,

$$E_p = E_k$$

so that

$$mgh = \frac{1}{2} mu^2$$

Introduction of Hydraulic Rams (Beliers Hydrauliques) in Haiti

Pilot Project :
TERRE ROUGE - TRIANON

PRELIMINARY STUDY

SKAT

SKAT
Schweizerische Kontaktstelle für Angepaßte Technik am ILE,
Institut für Lateinamerikaforschung und Entwicklungszusammenarbeit an der Hochschule St.Gallen

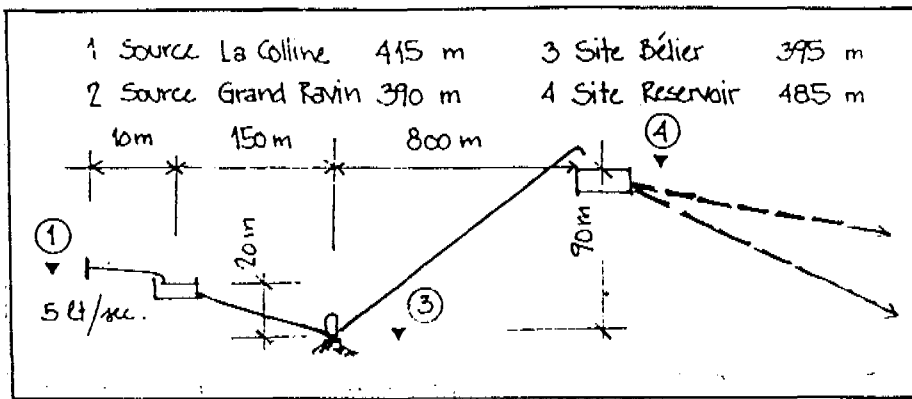
SKAT
Swiss Center for Appropriate Technology at ILE,
Institute for Latin-American Research and for Development
Co-operation, University of Saint-Gall

SKAT - BOOKSHOP
Tigerbergstr. 2
CH-9000 St.Gallen, Switzerland
Phone: +41 71 30 25 85 / Fax: +41 71 22 46 56

SKAT
Centre Suisse pour la Technologie Appropriée à l'ILE,
Institut de Recherche sur l'Amérique Latine et de
Coopération au Développement, Université de Saint-Gall

SKAT
Centro Suizo de Tecnología Apropriada en el ILE,
Instituto de Investigación sobre América Latina y
de Cooperación al Desarrollo, Universidad de Sankt-Gallen

TERRE ROUGE - TRIANON



1. Calculation of quantity of water which can be pumped

$$Q_2 = Q_1 \frac{H_1}{H_2} \cdot \eta$$

$$Q_1 = 5 \text{ l/sec}$$

$$H_1 = 20 \text{ m}$$

$$H_2 = 90 \text{ m} + F$$

F = headloss because of friction

η = efficiency of hydr. ram

F : assumed 6‰ ($\phi 2''$ with 0,9 l/sec)

$$\Rightarrow F = 6\text{‰} \cdot 800 \text{ m} = 4,8 \text{ m}$$

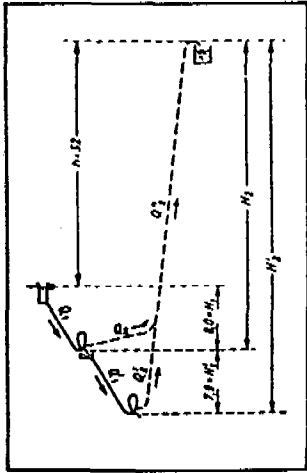
$$\Rightarrow H_2 = 90 + 4,8 = 94,8 \text{ m}$$

$$\eta \sim 0,8$$

$$\Rightarrow Q_2 = 5 \text{ l/sec} \cdot \frac{20 \text{ m}}{94,8 \text{ m}} \cdot 0,8 = \underline{\underline{0,84 \text{ l/sec}}} = 73 \text{ m}^3/\text{day}$$

(It has to be considered that above amount (Q_2) can only be pumped to its full extend if the pre-conditions listed below are followed up as well as the hydraulic ram chosen is optimal designed for the amount of water (Q_1 available))

Since H_1 amounts to 20 m, which is at the upperst limit for the drop of the drive pipe of some makes (comp. page 6.), the installation of a stepped hydram system needs to be considered as well.



$$H_1 = 10 \text{ m} \quad H_2 = 84,8 \text{ m} \quad Q_1 = 5 \text{ l/sec}$$

$$Q_2 = 5 \cdot \frac{10}{84,8} \cdot 0,8 = 0,47 \text{ l/sec}$$

$$H_1' = 9,9 \text{ m} \quad H_2' = 94,8 \text{ m} \quad Q_1' = 5 - 0,47 = 4,53 \text{ l/sec}$$

$$Q_2' = 4,53 \cdot \frac{9,9}{94,8} \cdot 0,8 = 0,38 \text{ l/sec}$$

$$Q_2'' = 0,47 \text{ l/sec} + 0,38 \text{ l/sec} =$$

$$\underline{\underline{0,85 \text{ l/sec}}}$$

2. Check on the proposed hydraulic profil

H_1 should be normally not more than 15 metres (maximal 20 metres) because of high pressure at the hammering stage.
 \Rightarrow therefore it has to be checked from the manufacturer whether he guarantees proper performance at 20 metres otherwise a stepped hydram system needs to be installed

2) The gradient of the drive-pipe ($H_1 : L_1$) should be in the range of (1:9) to (1:4). The proposed gradient amounts to (20:150) = (1:7,5) which is therefore O.K.

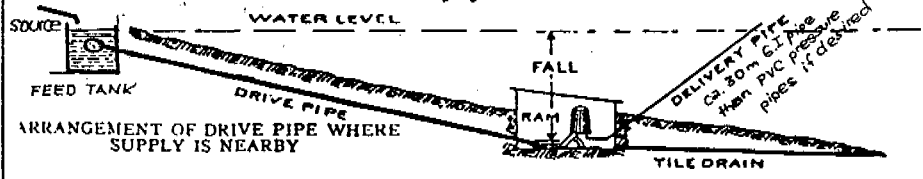
In addition it has to be considered that the total length of the drive pipe needs also to be limited depending on the recommendations by the manufacturers (Schlumpf: 100 m, SAND: 35 m, RIFE: 60 m)

\Rightarrow An open standpipe incl. a supply pipe needs to be introduced in case the collection-chamber (after the catchment) can not be located closer to the hydram (comp. sketch below)

DRIVE PIPES

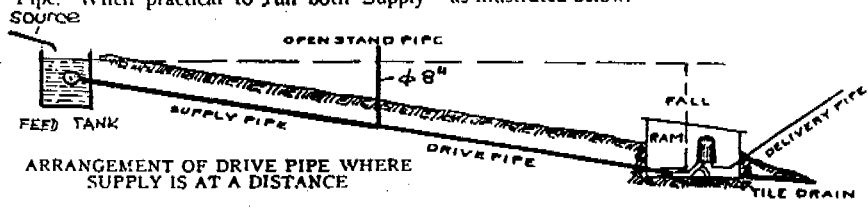
THE DRIVEPIPE SHOULD BE METAL, (usually galvanized steel), unless encased in concrete. It should be straight as possible without elbows, and normally the same pipe size as intake end of the Ram. It should be watertight* and rigidly anchored, with strainer in source of supply to keep refuse out of Ram. THE DRIVEPIPE ITSELF MUST BE OF CORRECT LENGTH. For Rife rams with vertical fall of up to 15 ft. this length is about 6 times the vertical fall; for 25 ft. fall 4 times, and for 50 ft. 3 times. With special conditions ask us for correct length and diameter of drivepipe to assure maximum delivery.

* airtight



Where you have to go down-stream some distance to obtain MORE Fall, it is necessary to introduce a Standpipe and use a combination of Drive Pipe and Supply Pipe. When practical to run both Supply

Pipe and Drive Pipe straight through from the source of supply to where the Ram is located on a straight incline this can be done by the use of an Open Steel Standpipe as illustrated below.

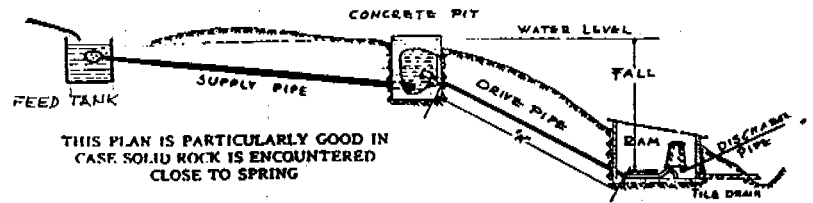


The Supply Pipe must be ONE SIZE LARGER THAN THE DRIVE PIPE. Where the two pipes come together, use a "T" pipe fitting into which is fitted the Open

Steel Standpipe, which should be two sizes larger than the Supply Pipe. The top of the Standpipe should be a few inches ABOVE the level of the water at Source of Supply

In cases where the Supply Pipe and Drive cannot be carried through on a straight incline, or where the Supply Pipe and Drive Pipes come together at different angles, it is necessary to install a Concrete Pit, the top of which should be several inches above the

level of the water at the Source of Supply. Water can be conveyed as much as One Mile through a Supply Pipe when necessary, to get the Fall required to pump the amount of water needed.



THIS PLAN IS PARTICULARLY GOOD IN CASE SOLID ROCK IS ENCOUNTERED CLOSE TO SPRING

The upper end of the Drive Pipe should be installed so that it will be at least 1 foot under water at all times in order to avoid whirlpools forming and sucking air into the Drive Pipe.

Where economy is a matter of consideration or where it is impractical to use a Concrete Pit, a joint of large Terra Cotta Tile can be installed as a substitute.

3) The height to be pumped amounts 90 metres, which is well below the max. height of 150 m (200m at most)

4. Selection of make of hydram

A comparison of some makes of hydrams for the pilot project Terre rouge - Trianon is shown on the following page.

Beside the technical criterias it is important to know more about the capability of the manufacturer. That's why some general comments are given below

- Schlumpf - Widder sind recht teuer. Entsprechend aber auch die Qualität überdurchschnittlich. Schlumpf Widder scheinen unproblematischer bezüglich Installation und Betrieb gemäss den Erfahrungen von Helvetas nach der Aussage von Andres Wiederkehr. - Obwohl bei der Fa. Schlumpf die Widderherstellung nicht das Hauptprodukt darstellt, scheint die Firma nach hundertjähriger Tradition die Widder mit der erforderlichen Sorgfalt herzustellen und zu betreuen.
- Blake - Hydrams haben eine 120 jährige Tradition. Es ist ein typisches englisches Produkt, von robuster schwerer Qualität. Ausser der Aussage von Andres Wiederkehr habe ich nie etwas negatives bezüglich diesem Produkt gehört. Die Konstruktion scheint seit Jahrzehnten beibehalten zu sein.
- Wama - Widder sind mir persönlich nicht bekannt. Die "glorreiche" Zeit der Firma scheint vorüber zu sein, da die Nachfrage nach Widdern in Deutschland durch gesetzliche Auflagen an Privatversorgungen stark zurück gegangen zu sein scheint. Jedenfalls konnte ich die Firma nur über die Privat-Adresse erreichen.
- Sano - Widder sind mir ebenfalls nicht bekannt. Die eingereichten Unterlagen sind zwar nicht gerade professionel erstellt worden, informieren dafür umfassend.
- Rife - Widder habe ich angeschrieben aber die Unterlagen für das vergleichende Angebot noch nicht erhalten.
Wie aus früheren Unterlagen ersichtlich ist, hat Rife bereits zwei Widder nach Haiti geliefert. Es wäre deshalb interessant, wenn diese Anlagen an Ort und Stelle besucht und bewertet würden. (Anschriften siehe Beilage)

COMPARISON OF SOME MAKES OF HYDRAMS FOR TERRE ROUGE - TRIANON

MAKE	Type/ Size	volume of driving water required (lit./min.)		drive pipe					delivery pipe		volume of water pumped under actual site conditions		cost F.O.B.	cost comp. to performance (\$ per m ²) ²	weight net. kg
		from	to	max. fall(m)	min. fall(m)	gradient	max. length	diamet. inches	diamet. inches	max. pump height	lit./min.	m ³ /day			
SCHLUMPF	8/23	150	400	20-25	1,0	1:4-1:5	100 m	4"	2"	200 (300)	40	57,6	4718 \$	81.9	275
BLAKE	5Y	180	410	20	1,0	1:5	100 m	4"	1" 1/2"	105	31,5	45,4	1975 \$	43.5	305
WAMA	11	180	400	15-20	0,45			5"	2"		43,	62,2	3710 \$	59.6	370
SANO	8	180	400		1,5		50 m	5"	2"	300	43	62,2	2210 \$	35.5	
RIFE	40 HDU	133	567	15-	1,5	1:6 (45) 1:3 (15)	60 m	4"	2"	150	40	57,6	2500 \$ ³	43.4	256

¹ It is assumed that this should be 2" in order to reduce friction respectively increases yield.

² Since the total cost refers to different volumes of water pumped, total costs have been divided by the volume daily pumped.

³ The cost of Rife's hydram is not yet confirmed.

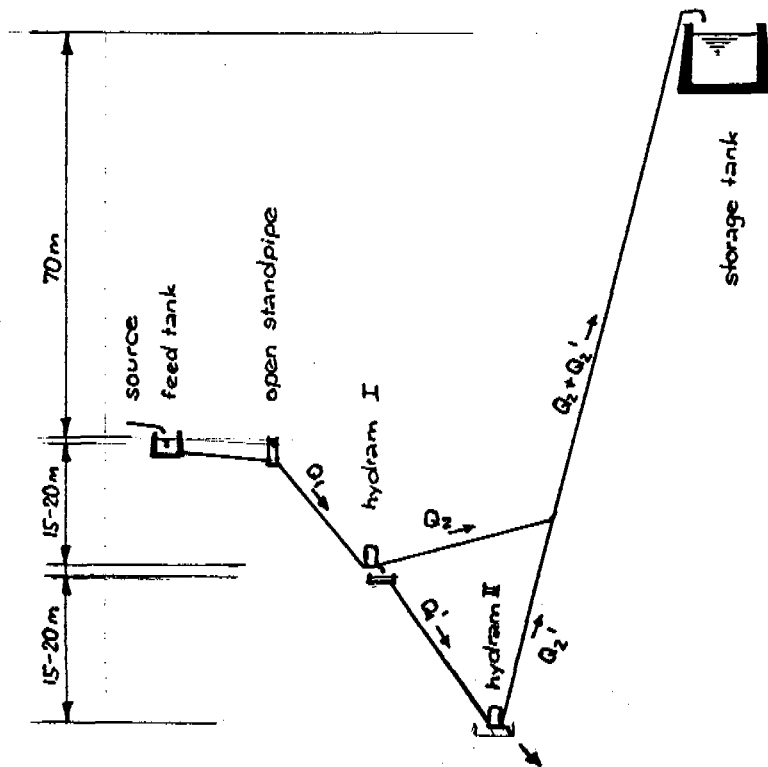
5. Recommendations

Since the population to be supplied numbers already at this stage up to 1500 inhabitants, the amount of water required for a futur stage (20 years) should be ideally

$$2 \times 1500 \text{ heads} \times 50 \text{ litres/head-day} = 150 \text{ m}^3/\text{day!}$$

Or the other way round: if only $60 \text{ m}^3/\text{day}$ are available, the daily consumption per head can be in futur only 20 litres. Therefore a stepped hydram system is recommended if the site conditions allow it.

Concerning the selection of the make it seems that Blake or Rife offer the most economical solution taking in consideration the reputation of the manufacturers. (Rife depends on the definitif offer as well on your evaluation in Haiti). In case Blake is selected the 5" ram Type 6Y may be choosen.



Hydraulic rams

A comparative investigation on commercial hydraulic rams

The hydraulic ram is a self-operating water pumping device that utilizes the energy contained in a flow of water running through it, to lift a small volume of this water to a higher level. The phenomenon involved is that of a pressure surge which develops when a moving mass of water is suddenly stopped (waterhammer).

In this article the essential features of hydraulic ram operation are described, using a limited number of experimental results. These results are part of the results obtained from a comparative investigation on commercially-available hydraulic rams, carried out in 1986 at the Delft University of Technology.

Hydraulic rams can be used for pumping drinking-water from a spring or stream to a tank or reservoir at a higher level. A steady and reliable supply of water is required with a fall (supply head) sufficient to operate the ram. Favourable conditions are mostly found in hilly and mountainous areas with fairly plentiful supplies of water. A well-made ram will pump water

to a height of 20 to 30 times the supply head, with an efficiency of about 60 to 70 per cent. Alternatively, hydraulic rams can be used for pumping water to low heads over large distances (up to 10 km or more), i.e. vertical lift can be traded off for horizontal distance.

In the past quite a number of hydraulic rams have been installed and many have given long and reliable service. But in modern times the availability of piped water systems using engine-driven pumps has relegated the hydraulic ram to a comparatively unimportant position. Recently, though, it has revived as a potentially useful component in rural water supply programs in developing countries. Yet, up to now the use of the hydraulic ram in developing countries has not become as widespread as its simplicity, ease of operation and maintenance, dependability and economy would seem to warrant.

This has largely been due to the lack of reliable information concerning the limiting conditions under which the ram is applicable and the phenomena governing its action.

Description of hydraulic rams

The various components from which a typical hydraulic ram installation is constructed are supply reservoir, drive pipe, hydraulic ram, delivery pipe and a storage tank.

The hydraulic ram itself is structurally simple, consisting of a pump chamber fitted with only two moving parts: an impulse valve through which the

Peter de Jong, working at CICAT, Delft University of Technology and editor of AT-source.

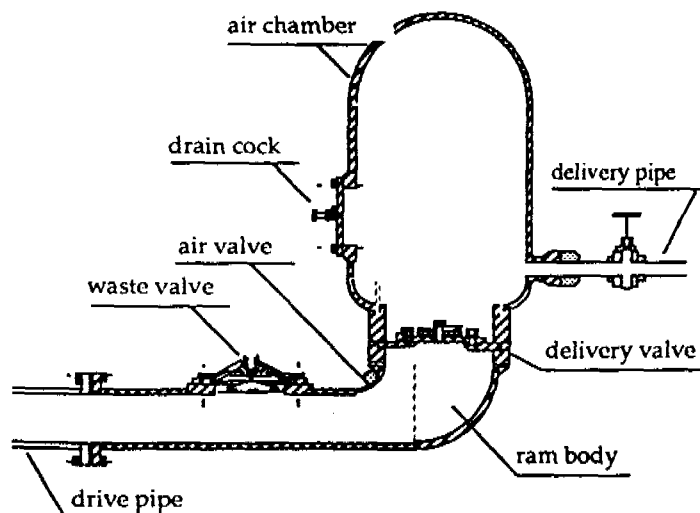


Fig. 1. Nomenclature of a hydraulic ram

driving water is wasted (waste valve) and a delivery valve (check valve) through which the pumped water is delivered.

In empty condition the waste valve normally falls open by gravity. Some designs of hydraulic ram use spring-activated waste valves. The delivery valve usually is a simple rubber disc covering a ring of holes. Surmounting the delivery valve is the air chamber or surge tank. When the ram operates, this tank is partly filled with water and partly with air. Connected to the air chamber is the delivery pipe, so the pressure in the air chamber is the delivery pressure. An inclined conduit, the so-called drive pipe, connects the ram body with the water supply. This drive pipe is the essential part of the installation in which the potential energy of the supply water is first converted into kinetic energy and subsequently into the potential energy of water delivered.

Basic Requirements

The use of a hydraulic ram requires the availability of suitable and reliable supply of water, with a sufficient fall to operate the ram. The supply can be any source of flowing or stagnant water such as a spring, stream, river, lake, dam or even a pond fed by an artesian well. Small size rams require a supply flow of at least 5 to 25 litres per minute, whereas very large rams may need as much as 750 to 1500 l/min. For most hydraulic rams the fall in driving water from the source to the ram must be at least 1 m.

Of course, not every spring, river etc. is suitable. The quality of the water is very important and has to be checked first. Most countries and communities have their own quality standards and methods of control. If the quality is not sufficient, complementary measurements have to be taken.

seriously affect its operation.

Before any possible lay-out of the installation can be designed, information must be gathered on the following items:

- Amount of water available to power the ram (source flow) - [l/min] - $Q + q$
- Minimum quantity of water to be pumped (delivery flow) - [l/day] - q
- Working fall (supply head) [m] - H_s
- Distance in which the working fall can be obtained [m]
- Vertical lift from ram to delivery site [m] - $h_d = a + b$
- Length delivery pipe from ram - delivery site [m] - L_d

Unless the supply water is obviously more than adequate, the source flow must be measured with reasonable accuracy. The possible change of flow at different times of the year should be established in order to determine the minimum guaranteed flow available.

The total daily volume of water required to be pumped can be calculated according to the purpose of use. For example, if the water is to be used for domestic consumption, the daily demand may be approximated by:

$$\text{Water Demand} = \text{Users} * \text{Per Capita Consumption}$$

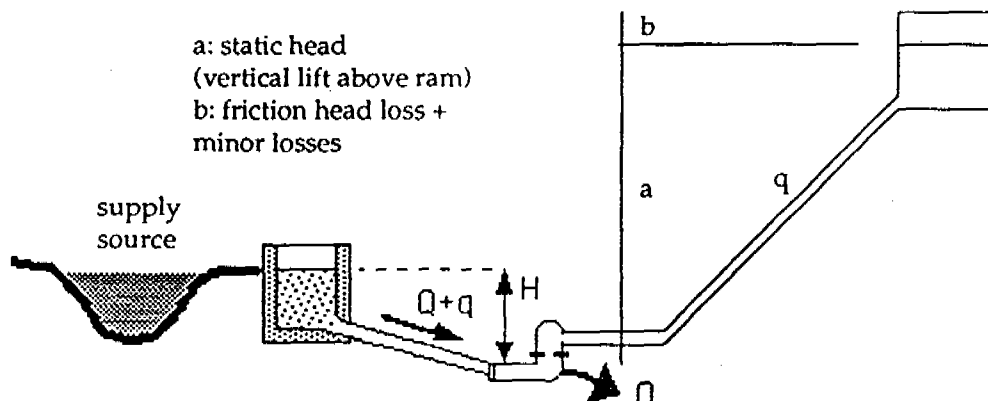
A typical per capita consumption could be 40 to 50 litres/person/day. If live-stock is present, its water use should be included also.

Given the fact that the hydraulic ram is capable of operating continuously twenty-four hours per day, the required pumping rate (q) is obtained by dividing the daily water demand by $24 * 60 = 1440$ minutes; in formula:

$$\text{pumping rate } q \text{ [l/min]} = \frac{\text{water demand [l/day]}}{1440 \text{ [min/day]}}$$

Fig. 2.
Site of a hydraulic ram,

$$h_s = a + b$$



Site selection

When selecting a potential site for the hydraulic ram installation it is essential that provisions can be made both for water input to the ram and for proper drainage of the waste water away from the ram. The waste valve should under no circumstances, flood conditions included, be submerged, since this will

The working fall (supply head H_s) is measured vertically from the supply source level to the output level at the waste valve of the ram. The pumping capacity varies directly with the supply head. The supply head can be increased by increasing the input level (e.g. by selecting the water input further upstream) and/or by lowering the position of the

ram itself (as long as it can be placed on a spot from which the waste water can be easily drained away, e.g. to a suitable discharge point further downstream).

The next question to be answered is what pressure head the hydraulic ram will need in order to lift the water to the storage tank and to overcome all energy losses. In general this will be equal to:

$$h_d = h + \left[\frac{f L_d}{d} + \xi_d \right] \frac{v^2}{2g}$$

where

h_d = delivery head	[m]
h = vertical lift above ram	[m]
f = pipe friction factor (0.02 - 0.04)	[-]
L_d = length of delivery pipe (50 - 2000)	[m]
d = int. diameter delivery pipe (0.02 - 0.05)	[m]
ξ_d = sum of minor loss factors (0 - 10)	[-]
v = average velocity delivery pipe (0.2 - 0.5)	[ms ⁻¹]
g = acceleration due to gravity (9.8)	[ms ⁻²]

Vertical lift must be measured from the location of the ram to the highest possible water surface level (overflow level) in the storage tank. Minor losses may usually be neglected (or roughly estimated) as compared with vertical lift and friction head loss. Knowing the available source supply (Q_{source}), the required pumping rate (q), the supply head (H_s) and the delivery head (h_d) the size of the hydraulic ram can be selected with the aid of the appropriate performance tables or, when available, with use of empirically obtained q/Q vs h_d/H_s -curves: The sum of the waste flow (Q) used by the ram and the pumping rate (q) must be less than the minimum source flow, i.e. $Q + q < Q_{source}$.

Since supply head (H_s) and delivery head (h_d) are more or less fixed by the terrain conditions (topography), the size of the hydraulic ram is mainly determined by the desired pumping rate, or limited by the available source supply to drive the ram. In cases where the installation has not enough capacity to meet the daily water demand, a battery of several rams may be used. Of course, this requires a source which can supply water at a sufficient rate. Each ram must have its own individual drive pipe, but they may use the same delivery pipe unless they are meant to supply different places. A battery of hydraulic rams is also very useful in

situations where the minimum flow during periods of drought only can power one or two rams and the maximum flow can drive more rams.

In a case where the supply water can power only one hydraulic ram, but the delivery flow does not quite meet the water demand, the waste water from the initial ram could be used to drive another ram.

Installation and maintenance

Since the hydraulic ram undergoes savage pounding under operation, it should be firmly bolted to a concrete base.

The drive pipe is by far the most important part of the installation; it carries the water from the supply reservoir to the ram and contains the high pressure surges (waterhammer) during the pumping stage of the operating cycle of the ram. The drive pipe should therefore be made of strong, rigid material, preferably galvanized iron. It should be watertight and rigidly anchored. The length should be approximately 4 to 7 times the supply head H_s .

The inlet to the drive pipe must always be submerged to prevent air from entering the pipe; air bubbles in the drive pipe will dramatically affect the operation of the ram or even lead to complete failure. For this reason the drive pipe should be laid as straight as possible throughout its entire length without any elevated sections which could trap air. A dip to allow the drive pipe to follow the contour of the ground is permissible.

The delivery pipe may be made of any material (e.g. P.V.C. - polyvinyl chloride or HDP - high density polyethylene) provided it can withstand the delivery pressure.

If the delivery head exceeds the pipe's pressure specification, than the lower portion of the delivery pipe must be galvanized iron pipe. In fact it may be advisable always to use an initial length of galvanized iron pipe to ensure a sturdy connection to the ram.

To facilitate operation and maintenance of the hydraulic ram the drive pipe and the delivery pipe should each be connected to the ram with union joints and stop-valves. The stop-valve in the drive pipe should be incorporated in such a manner as to prevent the formation of air pockets; a rotary type of valve (globe valve) is preferable to an ordinary gate valve since the latter may not be strong enough

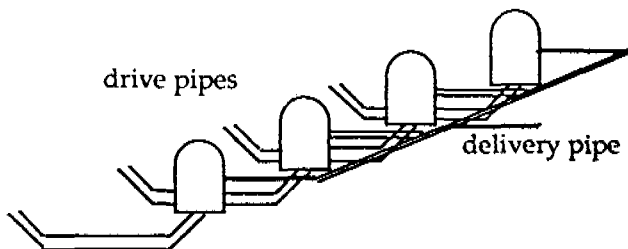


Fig. 3. Battery of a hydraulic rams

against the severe loads of the waterhammer pressures.

The maintenance required for a hydraulic ram is, compared to most other pumping systems, very little and infrequent. It includes:

- replacement of the valve rubbers when they are worked out
- adjustment of the tuning of the waste valve
- tightening bolts which have worked loose.

Occasionally the hydraulic ram may need dismantling for cleaning. It is essential that as little debris as possible enters the drive pipe. It is therefore necessary to provide a grate at the intake of the supply source as well as a strainer at the inlet side of the drive pipe to hold up floating leaves and debris. The grate and strainer must be checked every now and then and cleaned if necessary to ensure that the water supply is flowing at the maximum rate.

It must be stated that the foregoing remarks on the practical use of the hydraulic ram only highlights some of the main features of the installation. Every situation may vary in detail; specific design and techniques suited to the particular site may be necessary to create the most appropriate hydraulic ram installation.

More detailed information on how to construct, operate and maintain the ram installation is depending on the type of ram and can be found in the appropriate product information. Some manufacturers (e.g. Blake, Jandu, Schlumpf and Vulcan) do supply comprehensive information.

Prices and costs

Prices of hydraulic rams vary from US\$ 1000 to 3500. During the research in Rwanda it became clear that this price is a small part of the total costs of a complete water supply system. A rough breakdown of these costs looks as follows

pipes and accessories	45 %
construction works	30 %
transportation (including transport from Europe to Africa)	15 %
hydraulic rams	10 %

Although rams do not have fuel costs, expenses for spare parts and maintenance are most common. There has to be someone available for regular check-ups and reparations (weekly to monthly). This person should be trained first.

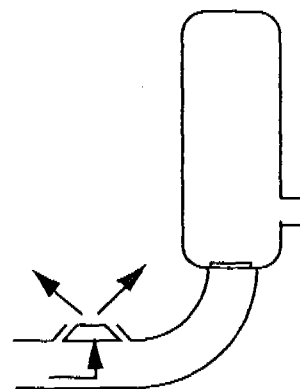
The percentual breakdown of the total costs leads to the conclusion that the price of the ram itself is of less importance. A cheap ram with a low output and a bad performance could throw the whole expensive system idle.

The risk of drop out of the total system is also rather high when other parts of the system, e.g. the drive pipe, were not installed very solidly.

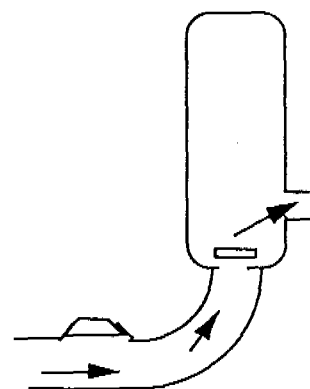
Another lesson which could be learned from the total costs overview is the knowledge on the availability of all materials is essential in order to make a realistic estimation of the total costs.

Operation of hydraulic rams

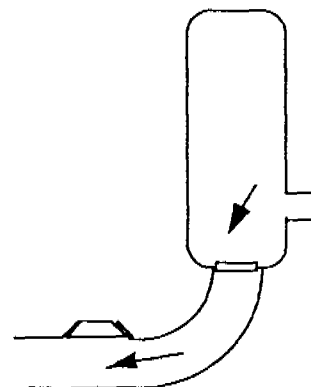
The ram operates on a flow of water falling under a head (abbreviated H_1) from the supply reservoir down through the drive pipe into the pump chamber. The water escapes through the opened waste valve into the surrounding area. With the acceleration of the water the hydrodynamic drag and pressure on the



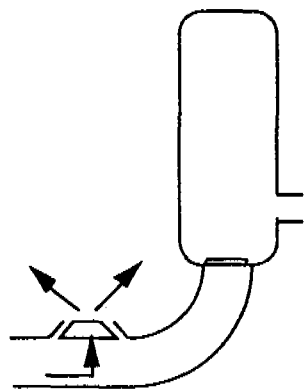
waste valve will increase. When the flow of water through the waste valve attains sufficient velocity, the upward force on the valve will exceed its weight and the valve will slam shut. (In a good ram design the valve closure is rapid, almost instantaneous.) Thus the flow through the waste valve is abruptly



stopped, but since the column of water in the drive pipe still has a considerable velocity a high pressure develops in the ram, locally retarding the flow of water.



If the pressure rise is large enough to overcome the pressure in the air chamber the delivery valve will be forced open, which in turn limits the pressure rise in the ram body to slightly above the delivery pressure. The front of this pressure rise expands upstream, partly reducing the flow velocity in successive cross-sections of the drive pipe as it passes. In the meantime the remainder of the flow passes through the opened



delivery valve into the air chamber. The 'air cushion' permits water to be stored temporarily in the air chamber with only a comparatively low rise in local pressure, thus preventing the occurrence of water-hammer (shock waves) in the delivery pipe.

With the propagation of successive pressure surges up and down the drive pipe water continues to flow into the air chamber with step-wise decreasing velocity until the momentum of the water column in the drive pipe is exhausted.

The higher pressure which now exists in the air chamber will initiate a reversal flow in the direction of the supply reservoir. This causes the delivery valve to close, preventing the pumped water from flowing back into the ram body. The 'recoil' of water in the drive pipe produces a slight suction in the ram body, thus creating an underpressure near the waste valve. The underpressure makes it possible for the waste valve to reopen, water begins to flow out again, and a new operating cycle is started.

Meanwhile the water forced into the air chamber, is driven into the delivery pipe to the storage tank at the high level, from which it can be distributed by gravitation as required.

An air valve or snifter valve is mounted into the ram body to allow a small amount of air to be sucked in during the suction part of the ram cycle. This air is carried along with the next surge of water into the air chamber. The air in this chamber is always compressed and needs to be constantly replaced as it becomes mixed with the water and lost to the storage tank. Without a suitable air valve the air chamber would soon be full of water and the hydraulic ram would then cease to function.

Depending on supply head, waste valve adjustment and, to a lesser degree, on drive pipe length and delivery head the cycle is repeated with a frequency of about 30 to 150 times a minute.

Once the adjustment of the waste valve has been set (valve stroke and - if present - tension of the return spring), the hydraulic ram needs almost no attention provided the water flow from the supply source is continuous, at an adequate rate and no foreign matters get into the pump blocking the valves.

Characteristics

For users of the ram the pumping rate q (output capacity) is the first consideration, since this should meet their demand.

Given an available source supply the pumping rate q of a hydraulic ram is determined by the supply head H_s and the delivery head h_d .

An increase of supply head H_s increases the pumping frequency (more beats per minute) and thereby increases the pumping rate q .

Commercially-made hydraulic rams are available in various sizes, covering a wide range of source supplies. The size of the ram (traditionally given in inches) usually denotes the nominal diameter of the drive pipe. The larger the size of the ram the more water is required to operate the ram and the more water can be delivered to a higher level.

Efficiency requires some special attention since different expressions are obtained in product information as well as in literature.

Some give the Rankine equation considering the installation as a whole and taking the head water level as datum. The useful work done in unit time, i.e. the net amount of potential energy of the water delivered, is given by $\rho g q (h_d - H_s)$. The net amount of energy used by the ram, i.e. the change in potential energy of the driving water is given by $\rho g Q H_s$.

$$\eta_{mk} = \frac{q (h_d - H_s)}{Q H_s}$$

In product information of hydraulic ram manufacturers, as well as in some other publications, efficiency is often simply defined as

$$\eta_{ad} = \frac{q h_d}{Q H_s}$$

The Rankine figure is always the lowest, while the 'trade expression' yields somewhat higher values; especially at low delivery heads the difference is significant.

The efficiency curve is most important when the supply source is limited and waste water must be kept at a minimum. In situations where there is an abundance of supply water the efficiency is a secondary matter. However, efficiency figures give a good indication of the hydraulic performance of the ram. High efficiency machines are hydraulically well-designed, i.e. have fair and smooth waterways and consequently low energy losses.

It should be standard commercial practice that manufacturers of hydraulic rams provide comprehensive and reliable information on the performance characteristics of their rams. Unfortunately this is not

always the case.

For example, some ram manufacturers state that the 'output' of their rams can be calculated using the simple formula

$$q = \frac{QH_s}{h_d} 0.6$$

The formula is based merely on the rule of thumb which means that the efficiency of a hydraulic ram is around 60%. Apart from the fact whether the specific ram is capable of attaining this efficiency, it is unlikely that the use of the formula is correct for all arrangements of supply and delivery heads, since it has been found from experiments that efficiency eventually diminishes as head ratio h_d/H_s increases.

A more realistic approach is followed by manufacturers recommending the formula

$$q = \frac{QH_s}{h_d} \eta$$

where numerical values of h are given in relation to head ratio h_d/H_s .

Only a few manufacturers provide empirically obtained operating tables.

Calculation example

Given a community of 60 persons and some cattle (30)
 Water Demand = Population * Capita Consumption
 The capita consumption depends on geographic, social and cultural aspects, but most of all on the availability of water. The domestic consumption could be 2 - 5 liters daily, with a population living 15 km from a water source. Having a watertap, shower and adjusted toilet, it could be 60 - 80 litres per day per person.

For this example is calculated with 50 litres daily and 20 litres for the local cattle per animal. So,

Water Demand = $60 * 50 + 30 * 20 = 3600$ l/day

The pumping rate (continuously pumping) will be $3600/1440 = 2.5$ l/min

The next figure needed is the delivery head. Herefore is given:

f: 0.04 (estimation, depending on the pipes available)

L_d : 1000 m (to be measured in the field)

d: 0.02 m (a suitable diameter for this pumping rate; has to be checked.)

ξ_d : 10 (estimation for a long and difficult track)

v: 0.3 ms^{-1} (estimation, has to be checked)

g: 9.8 ms^{-2}

h: 40 m (to be measured in the field)

$h_d = 40 + \{(0.04 * 1000 / 0.02) + 10\} * 0.3^2 / (2 * 9.8) = 49$ m

Such a supply could be created with a hydraulic ram, using a supply head of 3.00 m at least and a supply flow around 60 l/min. With a given efficiency of 70% this will result in

$$q = 60 * 3.00 * 0.70 / 49 = 2.57 \text{ l/min}$$

Bibliography

Tacke J.H.P.M., Hydraulic rams, a comparative investigation, 112 pp. + 143 pp. appendices, 1987, Laboratory of Fluid Mechanics, DUT

Watt S.B., A manual on the hydraulic ram for pumping water, 40 pp., 1978, Intermediate Technology Development Group, 9 King Street, London WC2E 8HW, United Kingdom

Kempenaar K. and Wesseling H., De waterram - een theoretische beschouwing n.a.v. een a.t. ontwerp, 70 pp., (Dutch), 1976, DUT, Centre for International Cooperation and Appropriate Technology

Hamel E., Field tests on hydraulic rams in Rwanda, 1987, SNV, Foundation of Dutch Volunteers, Bezuidenhoutseweg 161, 2594 AG, The Hague, The Netherlands

Drawings of hydraulic rams, 42 pp., (German/English), 1979, German Appropriate Technology Exchange, Postfach 5180, D-6236 Eschborn, Germany

Schiller E.J., Proceedings of a workshop on hydraulic ram pump (hydram) technology, Arusha, Tanzania, 121 pp., 1984, ITDG, Intermediate Technology Development Group

Inversin A.R., The construction of a hydraulic ram pump, 36 pp., South Pacific Appropriate Technology Foundation, P.O. Box 6937, Boroko, Papua New Guinea

Zilvold H.M., Ontwerp en bouw van een waterram proefinstallatie, ontwikkeling waterramimpulsklep simulatiemodel, 51 pp. + bijlagen, (Dutch), 1986, HTS Zwolle, The Netherlands

Renewable Energy Sources for Rural Water Supply, 133 pp. + appendices, 1986, International Reference Centre, P.O. Box 93190, 2509 AD, The Hague, The Netherlands

A handbook of gravity-flow water systems, 186 pp. + appendices, 1980, Intermediate Technology Development Group

Adresses hydraulic ram manufacturers

Alta Cabeza "Gaviotas"

Centro Las Gaviotas, Paseo Bolivar no. 20 - 90, Bogota,
Columbia

Auto-Lift Pump

Codbole & Sons, New Ramdaspath, Kachipura,
Nagpur - 1, India

Belier ALTO

J.M. Desclaud, Bordeaux, France

Billabong

John Danks & Son. Pty Ltd, Doody Street, Alexandria,
Sydney, New South Wales, Australia

Blake Hydram

John Blake Ltd, P.O. Box 43, Accrington, Lancashire
BB5 5LP, UK

Bomba Hydraulicas Rochfer

Industrias Mecanicas Rochfer Ltda. Avenida Jose de
Silva 3765, Jardim Moria Rosa, Caixa Postal 194, Sao
Paulo, CEP 14400, Brazil

Briau Hydram

Briau S.A., B.P. 43, 37009 Tours, France

BZH Hydrauliska

Ab Bruzaholms Bruk, 570 34 Bruzaholm, Sweden

CeCoCo Hydro-Hi-Lift Pump

CeCoCo, P.O. Box 8, Ibaraka City, Osaka 567, Japan

Chandra Hydram

Singh Metal Casting Works, 110-D Nirala Nagar,
Lucknow, India

Fleming Pump

C.W. Pipe Inc., P.O. Box 678, Amherst, Virginia 24521,
USA

Jandu's Hydram

Jandu Plumbers Ltd, P.O. Box 409, Uhuru Road,
Arusha, Tanzania

Pompe Pilter

Pilter, 22, Rue Florian, 75020 Paris, France

Premier Hydram

Premier Irrigation Equipment Ltd, 17/1C Alipore
Road, Calcutta 700.027, India

Rife Ram Pump

Rife Hydraulic Engine Manufacturing Co., 316 W.
Poplar Street, P.O. Box 790, Norristown, PA 19401,
USA

SANO Ram Pump

Pfister & Langhanss, Sandstraße 2-8, Postfach 3555,
8500 Nürnberg 1, Federal Republic of Germany

Schlumpf Pump

Schlumpf AG, CH-6312 Steinhausen, Kanton Zug,
Switzerland

Vulcan Hydram

Green & Carter Ltd, Ashbrittle, Near Wellington,
Somerset, TA21 0LQ UK

Wama Pump

WAMA Maschinenbau, Bergstraße 8, 8018 Grafing bei
München, Federal Republic of Germany



Micro Hydropower Information Package

by Ueli Meier & Alex Arter, SKAT-GATE Co-publication, 1990, 42 pages, SFr.20 (25.- for the disk)
A selected, annotated and classified bibliography on Micro Hydropower Development presented in three categories: 1) *basic information*, 2) *advanced information*, 3) *in-depth information*. Updated on a yearly basis.

Available also on a disk as a self-running file for MS-DOS computers (5 1/4" or 3 1/2")

Bookshop No. 25045

Hydraulics Engineering Manual

by Alex Arter & Ueli Meier, SKAT Publication, 1990, 76 pages, SFr. 34.-

Contains the basic theory and fundamental relations of flow systems, the theory of the BANK turbine and design aspects of Cross Flow turbines as well as a number of working tools in form of diagrams and nomograms for the design of water conduits and for turbine selection.
Bookshop No.25042

Governor Product Information

by G. Fischer, A. Arter, U. Meier & J.-M. Chapallaz, SKAT-GATE Co-publication, 1990, 114 pages, 42.- SFr.



Synopsis of the basic tasks of governing, the types of governors and important specifications for the selection of the governor or controller. Contains also a list of governor manufacturers and bibliographical references.
Bookshop No. 25046E

Landwirtschaftliche Beratung, Ein Leitfaden für Beraterinnen und Berater

von E. Bolliger, P. Reinhard & T. Zellweger, SKAT-LBL Kopublikation, 1990, 130 S., SFr: 30.-

Ein Arbeitsinstrument für Beratungsarbeit, das in praktischen Beispielen die Vorbereitung, den methodischen Aufbau, die Durchführung und die Evaluation praktischer Beratungstätigkeit in der Entwicklungszusammenarbeit aufzeigt und weit über den Bereich der *landwirtschaftlichen* Beratung hinaus Aussagekraft hat.
Bookshop No. 40079G

AFRIDEV Deep Well Handpump Specification

by E. Baumann, SKAT Publication, 1989, 15 SFr.

The Specification gives general notes on nomenclature, dimensions and construction of the AFRIDEV hand pump as well as informations about general requirements, anti corrosive treatment, testing, guarantee, marketing and packing.
Bookshop No. 33027E

Entwicklung mit Angepasster Technik

von Urs Heierli, SKAT, 1989, SFr. 14.-

Der Autor versucht anhand verschiedener konkreter Beispiele, den Einstieg in den Begriff Angepasste Technik zu ermöglichen. Eine Technik muss 4 Kriterien genügen um angepasst zu sein: 1) Soziale und kulturelle Anpassung, 2) ökonomische Anpassung, 3) Anpassung an echte Bedürfnisse und 4) Anpassung an die Umwelt.
Bookshop No. 10056G

3) Anpassung an echte Bedürfnisse und 4) Anpassung an die Umwelt.
Bookshop No. 10056G

Survey, Design and Construction of Trail Bridges for Remote Areas

by Jürg Krähenbühl et al., SKAT, 1983/85, 4 vols. with text and 2 vols. with drawings, 950 pp, 200 plans, approx. 10 kg, SFr. 371.-

Manual in 5 parts, containing all essential technical, legal, organisational and economical information. Vol. A: Design; Vol. B: Survey; Vol. C: Standard design drawings; Vol. D: Execution of construction work; Vol. E: Costing and Contracting.
Bookshop No. 7509

Alternativas de Transporte en América Latina: La Bicicleta y los Triciclos

por R. Navarro, U. Heierli, V. Beck, Copublicación de SKAT - CESTA (El Salvador) - CETAL (Chile) - GATE (Alemania), 1985, 300 págs., numerosas fotografías, figuras y



gráficas, SFr. 30.-

Este estudio describe las ventajas que puede traer el uso de la bicicleta y pone especial énfasis en la situación en América Latina. Se tratan temas como planificación del transporte, posibilidades de transporte con bicicletas, mantenimiento, reparación así como la producción; se incluyen varios estudios de casos, además de una descripción del fomento de la bicicleta en Países Industrializados.
Bookshop No. 1508

The Heat Generator

by Reinhold Metzler, SKAT, 1984, 67 pp., diagrams, tables, drawings,

SFr. 22.-

Describes the working principle and the design of the Heat Generator and its manufacture and assembly; also gives an overview on economical aspects and describes potential applications.
Bookshop No. 2519

Manual for Rural Water Supply

by Helvetas, Co-publication SKAT-ATOL, 5th edition 1985, 175 pp., illustrations, diagrams, drawings, SFr. 34.-

Well illustrated manual on rural water supply, based on experience acquired by Helvetas experts in Cameroon.

Also available in french and spanish.

Bookshop No.3403

Appropriate Building Materials

by Roland Stulz, Kiran Mukerjij co-publication SKAT-ITDG-GATE, 3rd edition 1988, 360 pp., sFr. 30.-

Standard building materials source-book for architects and engineers as well as educational and scientific institutions, producers and suppliers of building materials. Summarizes technical data and practical information, enabling the reader to identify appropriate solutions for almost any construction problem in low-cost housing in developing countries.

Available also in spanish

Bookshop No.7212

FCR-Fibre Concrete Roofing

by H.E. Gram et al., co-publication SKAT-ITDG, 1987, 185 pp., SFr. 25.-

Gives an overview on possibilities and limits of fibre concrete roofing. This publication is an assessment report of the state of the art and not a manual for FCR production and application.
Bookshop No. 75016E

Also available are CASE-REPORTS about practical experiences of different FCR-Workshops in different 3rd world countries. Free from SKAT Bookshop

Send your orders to:
SKAT BOOKSHOP
Tigerbergstr. 2, CH-9000 St.Gallen, Switzerland

Phone: (0)71 30 25 85
Fax: (0)71 22 46 56